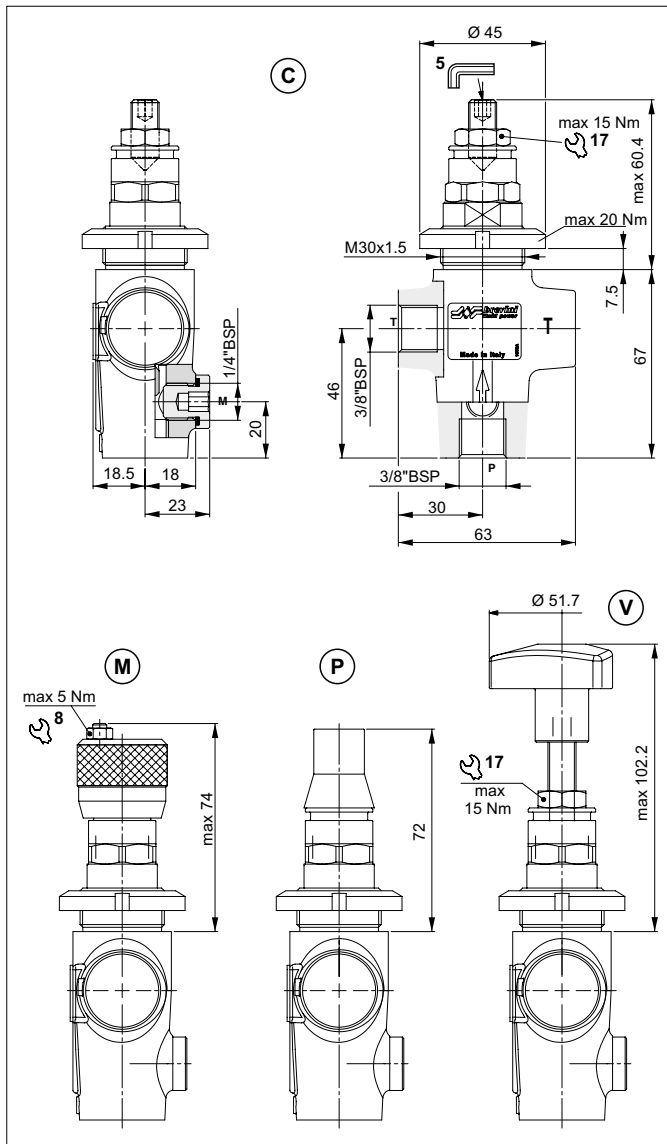


## DIRECT ACTING PRESSURE RELIEF VALVES - IN-LINE MOUNTING



The direct acting relief valve with CP06 cartridge limits the pressure in the hydraulic circuit.

It raises the safety level by making it impossible for the plant operators to set a higher pressure rating, than that specified in the catalogue. This is limited by a pack spring with a mechanical stop.

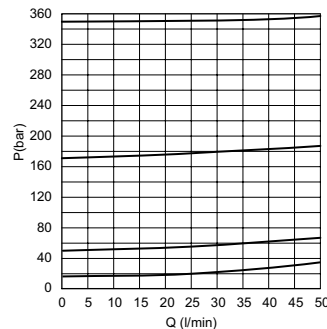
It has a manganese phosphate coated cast iron body. The cartridge is in galvanized steel.

### HYDRAULIC FEATURES

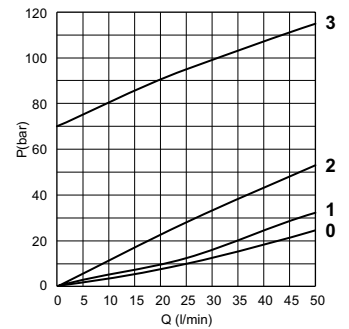
|  |                                |
|--|--------------------------------|
| Max. working pressure                  | 350 bar                        |
| Setting range:                         |                                |
| Spring 1 (orange)                      | max 15 bar                     |
| Spring 1 (white)                       | max 50 bar                     |
| Spring 2 (yellow)                      | max 170 bar                    |
| Spring 3 (neutral)                     | 70 ÷ 350 bar                   |
| Max. Flow                              | 50 l/min                       |
| Hydraulic fluid                        | DIN 51524 Mineral oils         |
| Fluid viscosity                        | 10 ÷ 500 mm <sup>2</sup> /s    |
| Fluid temperature                      | -25°C ÷ 75°C                   |
| Ambient temperature                    | -25°C ÷ 60°C                   |
| Max. contamin. level class with filter | ISO 4406:1999 - class 19/17/14 |
| Weight                                 | 0.8 kg                         |

The minimum permissible setting pressure depending on the spring: see curves below

### PRESSURE-FLOW RATE

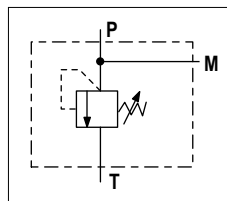


### MIN. SETTING PRESSURE



0 = VMP06.0.. - 1 = VMP06.1.. - 2 = VMP06.2.. - 3 = VMP06.3..  
Fluid used: mineral based oil with viscosity 46 mm<sup>2</sup>/s at 40°C.

### HYDRAULIC SYMBOL



### ORDERING CODE

|                                    |                                      |  |   |  |                       |
|------------------------------------|--------------------------------------|--|---|--|-----------------------|
| VMP                                | 06                                   | *  | *   | **   | 1                     |
| Series                             | Size                                 | Adjustment   | Setting ranges  | Variants                                     | Serial No.            |
| <b>VMP</b> = Pressure relief valve | <b>06</b> = Connector size: 3/8" BSP | <b>C</b> = Screw<br><b>M</b> = Plastic knob<br><b>P</b> = C + Sealed cap<br><b>V</b> = Handwheel | <b>0</b> = Max 15 bar (orange spring)<br><b>1</b> = Max 50 bar (white spring)<br><b>2</b> = Max 170 bar (yellow spring)<br><b>3</b> = 70÷350 bar (neutral spring) | <b>00</b> = No variants<br><b>V1</b> = Viton | <b>1</b> = Serial No. |