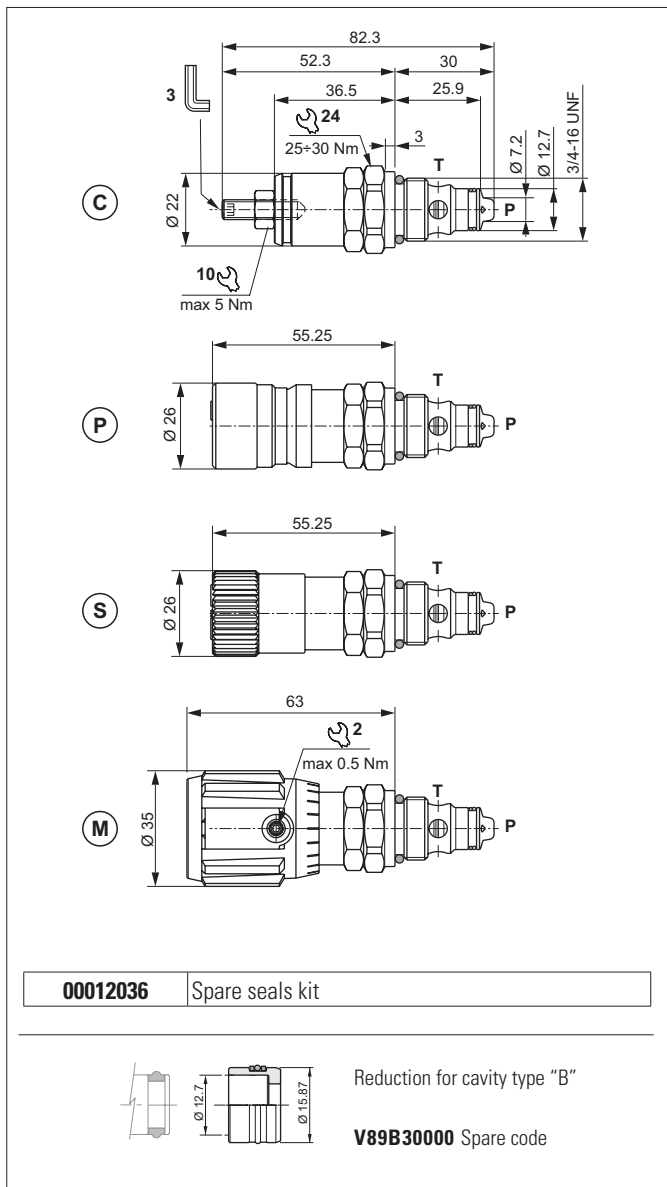


## DIRECT ACTING PRESSURE RELIEF VALVES



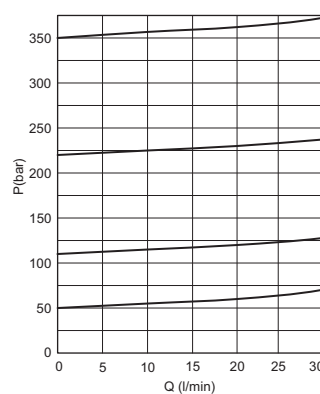
The direct acting relief valve limits the pressure in a hydraulic circuit. It raises the safety level by making it impossible for the plant operators to set a higher pressure rating, than that specified in the catalogue. It has a pack spring with a mechanical stop. It has a galvanised steel body. The guided ball poppet is in tempered and ground steel.

### HYDRAULIC FEATURES

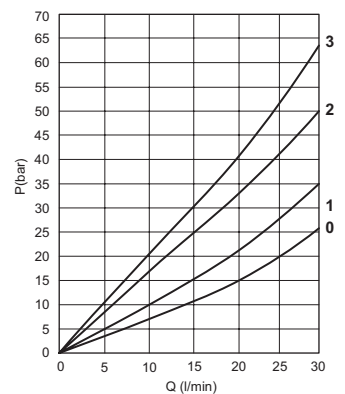
Max. working pressure	350 bar
Setting range:	
Spring 0 (white)	max 50 bar
Spring 1 (green)	max 110 bar
Spring 2 (yellow)	max 220 bar
Spring 3 (red)	max 350 bar
Max. Flow	30 l/min
Hydraulic fluid	DIN 51524 Mineral oils
Fluid viscosity	10 ÷ 500 mm <sup>2</sup> /s
Fluid temperature	-25°C ÷ 75°C
Ambient temperature	-25°C ÷ 60°C
Max. contamin. level class with filter	ISO 4406:1999 - class 19/17/14
Weight	0.15 kg
Tightening torque	25 ÷ 30 Nm
Cavity (3/4 - 16 UNF)	CD018006 (See section 17)

The minimum permissible setting pressure depending on the spring: see curves below

### PRESSURE-FLOW RATE

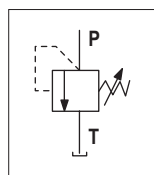


### MIN. SETTING PRESSURE



0 = CMP04\*0 - 1 = CMP04\*1.. - 2 = CMP04\*2.. - 3 = CMP04\*3..  
Fluid used: mineral based oil with viscosity 46 mm<sup>2</sup>/s at 40°C.

### HYDRAULIC SYMBOL



### ORDERING CODE

**CMP** 04 \* \* \* 00 2  
 Series Size Tip&side Variants

**CMP** = Pressure relief valve  
**04** = 3/4 - 16 UNF  
**A** = Standard - Ø 12.7 mm  
**B** = With reduction - Ø 15.9 mm  
**C** = Screw  
**P** = C + Plug no detachable closing (unremovable version)  
**S** = C + Plug detachable closing  
**M** = Plastic knob

**2** = Serial No.  
**00** = No variants  
**0** = Max 50 bar (white spring)  
**1** = Max 110 bar (green spring)  
**2** = Max 220 bar (yellow spring)  
**3** = Max 350 bar (red spring)