

JCFD... SINGLE-AXIS FINGERTIP JOYSTICK



JCFD...

Developed for applications where ergonomics and system integrity are paramount, the JCFD is a compact, low profile joystick that provides precise fingertip control. Designed for use with an electronic controller, the plastic track generates analogue and switched reference signals, proportional to the distance and direction over which the handle is moved. The analogue output is configured to provide signals for fault detection circuits within the controller. A center tap on the analogue track provides an accurate voltage reference for the center position or a zero point for a bipolar supply voltage.

Electrical features

Potentiometer resistance	5 K Ω
Max. supply voltage	VDD = 32V DC
Output signal Y pot	0 – 100% VDD
Output signal Y pot GG variant	10 - 90% VDD
Max. output current	2mA

Directional switches

Maximum supply voltage	VCC = 32V DC
Max. output current	2mA
	Resistive load

Mechanical features

Mechanical angle	$\pm 30^\circ$
Maximum operating load	50 N
(Measured 130 mm above the mounting surface)	
Mechanical Life	5.000.000 cycles
Weight	0,045 Kg

Ambient operating temperature	-25°C ÷ +70°C
Protection according to DIN	IP66

ORDERING CODE

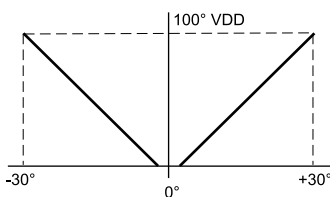
JC	Joystick
F	Fingertip
D	Directional switches
1	Singolo asse
**	00 = No variants GG = 10-90% output signal
1	Serial number

- **CE** Registered mark for industrial environment with reference to the compatibility. European norms:
 - IEC 61000-4-3 "Electromagnetic immunity"
 - EN6550022 "Electromagnetic emissions"
- Product in accordance with **RoHS 2011/65/UE** Europe Directive.

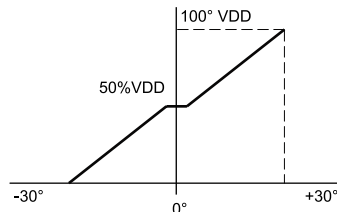
9

Connectors and electrical contacts included in the furniture.

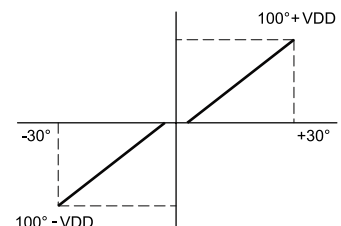
OUTPUT VOLTAGE SIGNAL



In order to obtain the output signal from the joystick as indicated in the diagram it is necessary: connect the Pin B and Pin D of the connector at +VDD, and connect the Pin A at 0V.



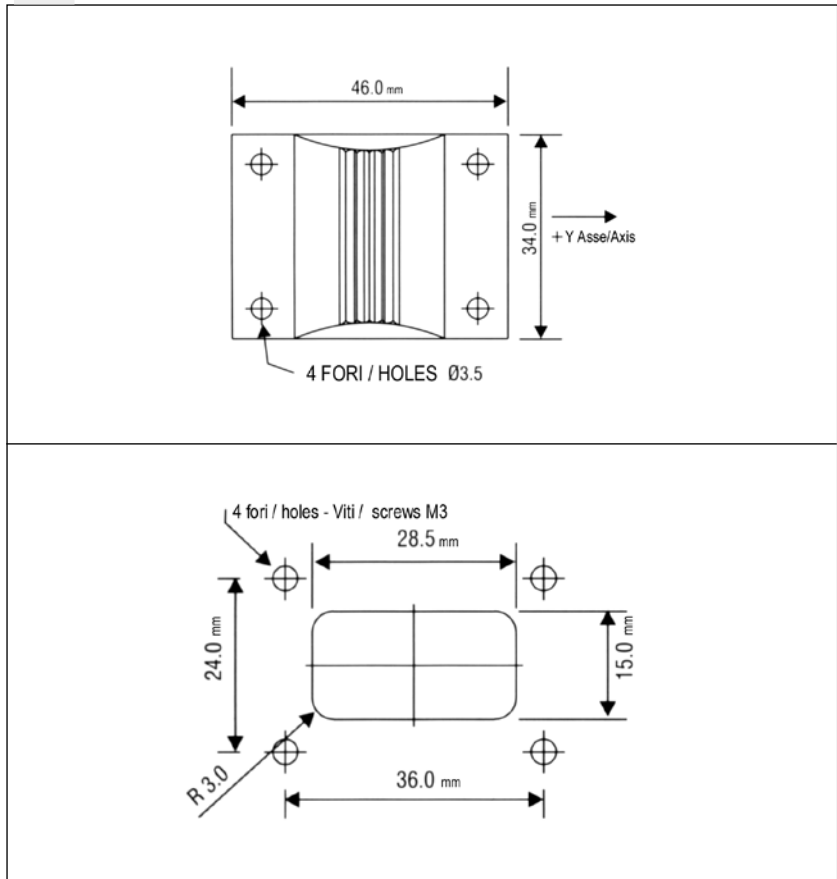
In order to obtain the output signal from the joystick as indicated in the diagram it is necessary: connect the Pin B of the connector at +VDD, and connect the Pin D at 0V.



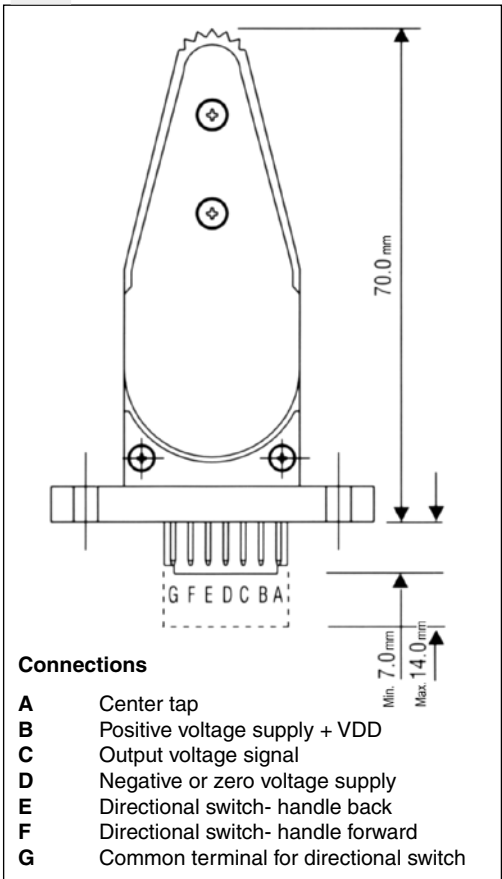
In order to obtain the output signal from the joystick as indicated in the diagram it is necessary: connect the Pin B of the connector at +VDD, and connect the Pin D at -VDD.

JCFD... SINGLE-AXIS FINGERTIP JOYSTICK

HANDLE ADAPTER PLATE



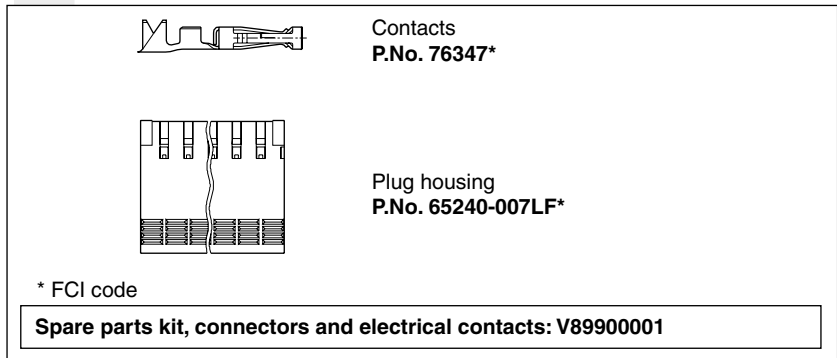
OVERALL DIMENSIONS



Connections

- A** Center tap
- B** Positive voltage supply + VDD
- C** Output voltage signal
- D** Negative or zero voltage supply
- E** Directional switch- handle back
- F** Directional switch- handle forward
- G** Common terminal for directional switch

SPARE PARTS



ANALOGUE JOYSTICK CONTROLLERS

