



## A09 DC COILS

Type of protection (in relation to connector used)	IP 65
Number of cycle	18.000/h
Supply tolerance	±10%
Ambient temperature	-30°C ÷ 60°C
Duty cycle	100% ED
Insulation class wire	H
Weight	0,215 Kg

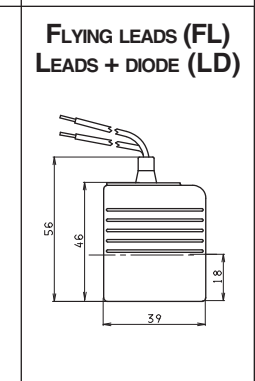
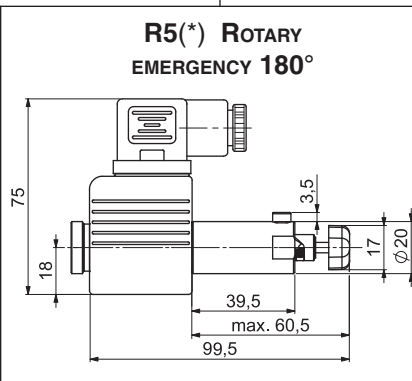
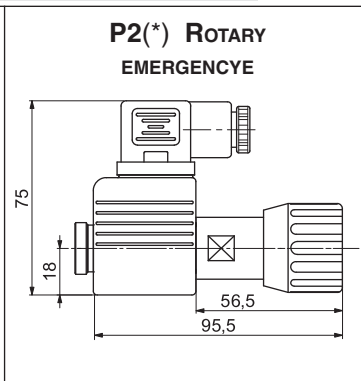
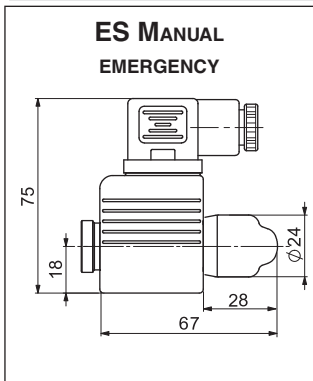
MOUNTING COMPATIBILITY	
<b>AD2E</b>	CAP. I • 4
<b>ADC3...</b>	CAP. I • 7
<b>CDL04...</b>	CAP. I • 66

VOLTAGE (V)	MAX WINDING TEMPERATURE (AMBIENT TEMPERATURE 25°C)	RATED POWER (W)	RESISTANCE AT 20°C (OHM) ±7%
12V	123°C	27	5.3
24V	123°C	27	21.3
48V*	123°C	27	85.3
102V**(**)	123°C	27	392
110V**(**)	123°C	27	448
205V**(**)	123°C	27	1577

\* Special voltages

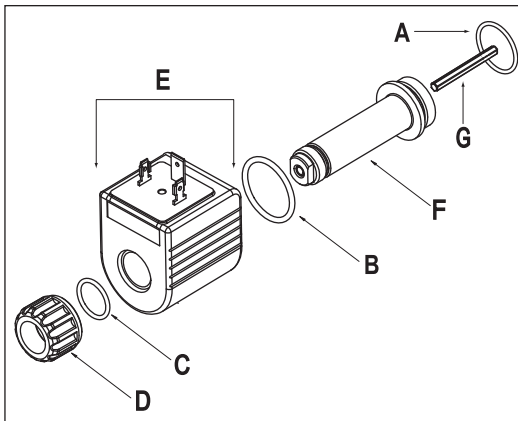
\*\* The european low voltage directive is applied to electrical equipments used at a nominal voltages between 50 and 1000 VAC or 75 and 1500 VDC. In conformity with the low directive each part of the manifold or the subplate on which the valve is mounted should be connected to a protective earth with a resistance less than 0.1 ohms.

AMP JUNIOR (AJ)	DEUTSCH COIL + BIDIR. DIODE (CX) DT04 - 2P
ES MANUAL EMERGENCY	FLYING LEADS (FL) LEADS + DIODE (LD)



## SPARE PARTS

(\*) P2 and R5 Emergency tightening torque max. 6±9 Nm / 0.6 ÷ 0.9 Kgm with CH n. 22



E = SEE A09 COIL TABLE  
A/B/C/D/F/G = SINGLE SPARE PARTS (SEE CODES TABLE)

VOLTAGE	HIRSCHMANN (STANDARD) (00)	CONNECTIONS			
		AMP JUNIOR (AJ)	FLYING LEADS + DIODE (LD) (130)	FLYING LEADS (250) (FL)	DEUTSCH + BIDIR. DIODE (CX)
12 V (L)	M14310001	M14320001	M14330001	M14070011	M14340001
24 V (M)	M14310002	M14320002	M14330002	M14070012	M14340002
48V* (N)	M14310003				
102V* (Z)	M14310008				
110V* (P)	M14310005				
205V* (X)	M14310009				

(\*)SPECIAL VOLTAGES

COMPLETE KIT	AD2E	CDL04	ADC3	CDC3
COMPLETE SOLENOID'S TUBE	V85990008		V85990007	
P2 ROTARY EMERGENCY	V89990016		V89990017	
R5 ROTARY EMERGENCY 180°	-		V15050098	
ES MANUAL EMERGENCY	M19050003			

CODE SPARE PARTS	A	B	C	D	E	F	G	MOUNTING AVAILABES	
AD2E	Q25831023	Q25830096	Q25860013	M37050036	SEE TABLE A09	M83060003	M74490001	C - E - F	
CDL04								M74490002	G - H - I - L
ADC3 / CDC3	Q25830024	Q25860023						M74490003	D - M
C3V03	Q25861025	Q25860024						M74490004	-
				M37050031		M83060004	M74460001	C - E - F	
						M83060002	M74460002	G - H	
							M74480001	-	

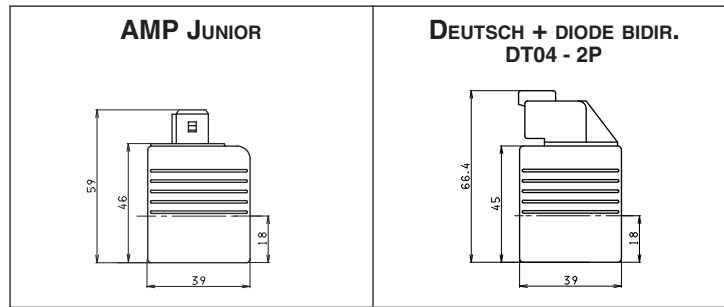


## "20W" DC COILS FOR OFF-HIGHWAY MACHINERY

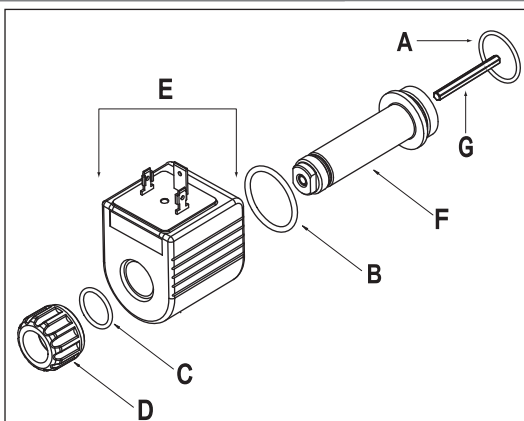
Type of protection (in relation to connector used)	IP 65
Number of cycle	18.000/h
Supply tolerance	±10%
Ambient temperature	-30°C ÷ 60°C
Duty cycle	100% ED
Insulation class wire	H
Weight	0,212 Kg

MOUNTING COMPATIBILITY	
<b>CRD03...</b>	CARTRIDGE CATALOGUE
<b>C3V05...</b>	CARTRIDGE CATALOGUE

VOLTAGE (V)	MAX. WINDING TEMPERATURE (AMBIENT TEMPERATURE 25°C)	RATED POWER (W)	RESISTANCE AT 20°C (OHM) ±10%
12V	-	20	7.2



## SPARE PARTS



**E** = SEE 20W COIL TABLE  
**A/B/C/D/F/G** = SINGLE SPARE PARTS (SEE CODES TABLE)

20W DC COIL	CONNECTIONS	
	AMP JUNIOR (A)	DEUTSCH + BIDIR. DIODE (D)
TENSIONE		
12V (L)	<b>M14321001</b>	<b>M14341001</b>

CODE SPARE PARTS	A	B	C	D	E	F	G
	O RING			RING NUT	COIL	TUBE	HEX. PUSHROD
CRD03 C3V05	<b>Q25861010</b>	<b>Q25860023</b>	<b>Q25830022</b>	<b>M37050031</b> <b>M37050036</b>	<b>VEDI</b> <b>20W</b>	<b>M83060007</b> <b>M83060006</b>	<b>M74480003</b> <b>M74480002</b>



## "D15" DC COILS FOR CETOP 3

Type of protection (in relation to the connector used)	IP 66
Number of cycles	18.000/h
Supply tolerance	±10%
Ambient temperature	-25°C ÷ 60°C
Duty cycle	100% ED
Insulation class wire	H
Weight	0,354 Kg

### MOUNTING COMPATIBILITY

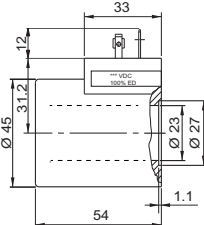
<b>CETOP 3</b>	CAP. I • 8
<b>AD3E...</b>	CAP. I • 11
<b>AD3V...</b>	CAP. I • 14
<b>ADL06...</b>	CAP. I • 69
<b>A66...</b>	CAP. IV • 19

VOLTAGE (V)	MAX WINDING TEMPERATURE (AMBIENT TEMPERATURE 25°C)	RATED POWER (W)	RESISTANCE AT 20°C (OHM) ±10%
12V	110°C	30	4.8
24V	110°C	30	18.8
28V*	110°C	30	25.6
48V*	110°C	30	75.2
102V*(**)	110°C	30	340
110V*(**)	110°C	30	387
205V*(**)	110°C	30	1375

\* Special voltages

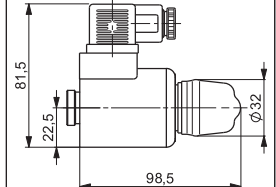
\*\* The european low voltage directive is applied to electrical equipments used at a nominal voltages between 50 and 1000 VAC or 75 and 1500 VDC. In conformity with the low directive each part of the manifold or the subplate on which the valve is mounted should be connected to a protective earth with a resistance less than 0.1 ohms.

### eCOAT COIL (RS)

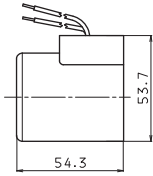


SEE THE FOLLOWING PAGE

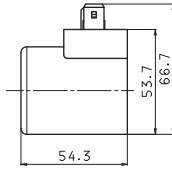
### ES MANUAL EMERGENCY



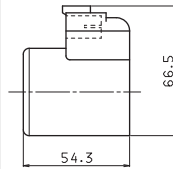
### FLYING LEADS (SL)



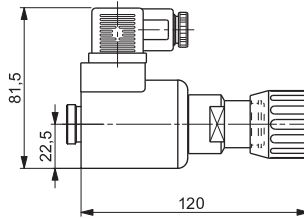
### AMP JUNIOR (AJ) AJ + DIODE (AD)



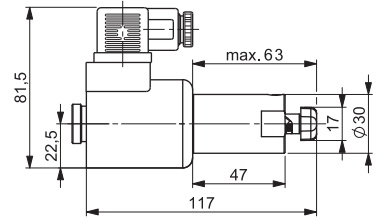
### DEUTSCH DT04 - 2P (CZ) CZ + eCOAT (R6)



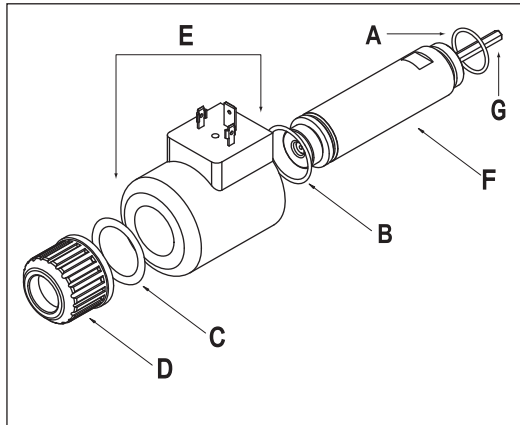
### P2 ROTARY EMERGENCY



### R5 ROTARY EMERGENCY 180°



## SPARE PARTS



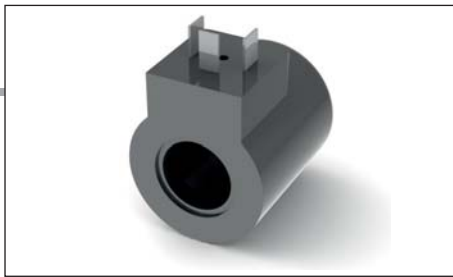
E = SEE D15 COIL TABLE  
A/B/C/D/F/G = SINGLE SPARE PARTS (SEE CODES TABLE)

VOLTAGE	D15 DC - 30W COIL CONNECTIONS				
	HIRSCHMANN (STANDARD) (00)	AMP JUNIOR (AJ)	AMP JUNIOR + DIODE (AD)	FLYING LEADS (175) (SL)	DEUTSCH (CZ)
12V (L)	M14450002	M14460002	M14470002	M14480002	M14490002
24V (M)	M14450004	M14460004	M14470004	M14480004	-
28V* (V)	M14450005				
48V* (N)	M14450006				
102V* (Z)	M14450018				
110V* (P)	M14450008				
205V* (X)	M14450019				

(\*SPECIAL VOLTAGES)

COMPLETE KIT	AD3E	CD3	ADL06	AD3V	A66
COMPLETE SOLENOID'S TUBE	V85990003				
P2 ROTARY EMERGENCY	V89990010				
R5 ROTARY EMERGENCY 180°	V15050097				
ES MANUAL EMERGENCY	M19050004				

CODE SPARE PARTS	A	B	C	D	E	F	G	MOUNTING AVAILABLES
AD3E CD3 AD3V ADL06	Q25830024	Q25860033	Q25830185	M37050030	SEE TABLE D15	M83130001	M74470001 M74470002 M74470003	C - E - F - M G - H - I - L D
A66							M74470004	-



## HIRSCHMANN eCoat<sup>(1)</sup> COILS (D15 RS VARIANT)

Type of protection (in relation to the connector)	IP 66
Number of cycles	18.000/h
Supply tolerance	±10%
Ambient temperature	-25°C ÷ 60°C
Duty cycle	100% ED
Insulation class wire	H
Weight	0,354 Kg

### MOUNTING COMPATIBILITY

<b>CETOP 3</b>	CAP. I • 8
<b>AD3E...</b>	CAP. I • 11
<b>ADL06...</b>	CAP. I • 69

VOLTAGE (V)	MAX. WINDING TEMPERATURE (AMBIENT TEMPERATURE 25°C)	RATED POWER (W)	RESISTANCE AT 20°C (OHM) ±10%
12V	110°C	30	4.8
24V	110°C	30	18.8
28V*	110°C	30	25.6
110V>(*)(**)	110°C	30	387

\* Special voltages

(1) Sealed coil winding with steel out housing with eCoat protection. Has successfully overcome more than 700 hours of salt spray test before red rust (test according to UNI EN ISO 9227 and test evaluation according to UNI EN ISO 10289).

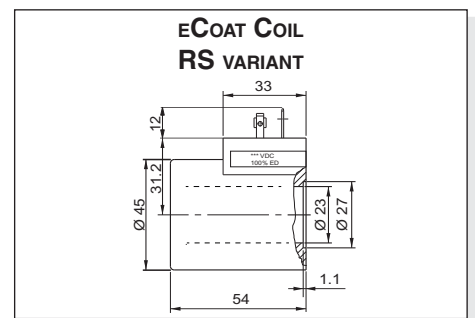
\*\* The european low voltage directive is applied to electrical equipments used at a nominal voltages between 50 and 1000 VAC or 75 and 1500 VDC. In conformity with the low directive each part of the manifold or the subplate on which the valve is mounted should be connected to a protective earth with a resistance less than 0.1 ohms.

## SPARE PARTS

D15 eCoat COIL (DC / 30W)	
VOLTAGE	HIRSCHMANN (STANDARD)
12V (L)	<b>M14820001</b>
24V (M)	<b>M14820002</b>
28V* (V)	<b>M14820005</b>
110V* (P)	<b>M14820008</b>

(\* )SPECIAL VOLTAGES

CODE SPARE PARTS B / C / D / E / F / G	FOR RS VARIANT
<b>B</b> OR (TUBE)	<b>Q25830024</b>
<b>C</b> RING NUT	<b>M37050062</b>
<b>D</b> O RING (RING NUT)	<b>Q25830185</b>
<b>E</b> O RING (COIL)	<b>Q25860033</b>
<b>F</b> TUBE	<b>M83130001</b>
<b>G</b> HEX. PUSHROD (MOUNTING C-E-F) (MOUNTING G-H-I) (MOUNTING D)	<b>M74470001</b> <b>M74470002</b> <b>M74470003</b>



SEE "D15" COIL STANDARD FOR BOTH EMERGENCY MANUAL ES AND ROTARY P2.



## DEUTSCH eCoat<sup>(1)</sup> COILS (D15 R6 VARIANT)

Type of protection (in relation to the connector)	IP 69K
Number of cycles	18.000/h
Supply tolerance	±10%
Ambient temperature	-20°C ÷ 60°C
Duty cycle	100% ED
Insulation class wire	H
Weight	0,354 Kg

### MOUNTING COMPATIBILITY

<b>CETOP 3</b>	CAP. I • 8
<b>AD3E...</b>	CAP. I • 11
<b>ADL06...</b>	CAP. I • 69

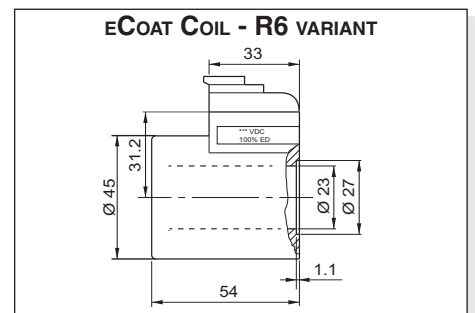
VOLTAGE (V)	MAX. WINDING TEMPERATURE (AMBIENT TEMPERATURE 25°C)	RATED POWER (W)	RESISTANCE AT 20°C (OHM) ±10%
12V	110°C	30	4.8
24V	110°C	30	18.8

(1) Sealed coil winding with steel out housing with eCoat protection. Has successfully overcome more than 700 hours of salt spray test before red rust (test according to UNI EN ISO 9227 and test evaluation according to UNI EN ISO 10289).

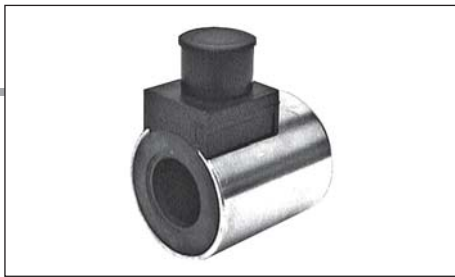
## SPARE PARTS

D15 eCoat COIL (DC / 30W)	
TENSIONE	DEUTSCH
12V (L)	<b>M14830001</b>
24V (M)	<b>M14830002</b>

CODE SPARE PARTS B / C / D / E / F / G	FOR R6 VARIANT
<b>B</b> OR (TUBE)	<b>Q25830024</b>
<b>C</b> RING NUT	<b>M37050062</b>
<b>D</b> O RING (RING NUT)	<b>Q25830185</b>
<b>E</b> O RING (COIL)	<b>Q25860033</b>
<b>F</b> TUBE	<b>M83130001</b>
<b>G</b> HEX. PUSHROD (MOUNTING C-E-F) (MOUNTING G-H-I) (MOUNTING D)	<b>M74470001</b> <b>M74470002</b> <b>M74470003</b>



SEE "D15" COIL STANDARD FOR BOTH EMERGENCY MANUAL ES AND ROTARY P2.

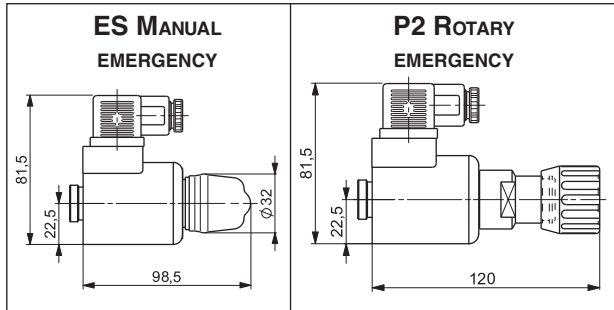


## "40W" DC COIL (FOR CDL.06...)

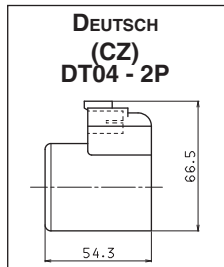
Type of protection (in relation to the connector)	IP 66
Number of cycles	18.000/h
Supply tolerance	±10%
Ambient temperature	-54°C ÷ 60°C
Duty cycle	100% ED
Insulation class wire	H
Weight	0,354 Kg

### MOUNTING COMPATIBILITY

CDL06...	CAP. I • 68
----------	-------------

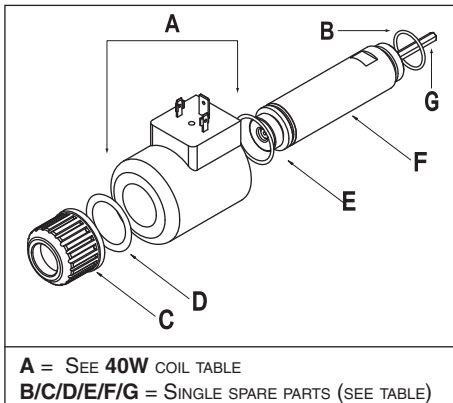


VOLTAGE (V)	MAX. WINDING TEMPERATURE (AMBIENT TEMPERATURE 25°C)	RATED POWER (W)	RESISTANCE AT 20°C (OHM) ±10%
12V	135°C	40	3.6
24V	135°C	40	14.4



COMPLETE KIT	CDL06
P2 ROTARY EMERGENCY	V89990010
ES MANUAL EMERGENCY	M19050004

## SPARE PARTS



40W DC COIL	CONNECTIONS
VOLTAGE	HIRSCHMANN (STANDARD)
12V (L)	<b>M14600001</b>
24V (M)	<b>M14600002</b>
	DEUTSCH (CZ)
12V (L)	<b>M14610001</b>
24V (M)	<b>M14610002</b>

CODE SPARE PARTS B/C/D/E/F/G	FOR CDL06
<b>B</b> O RING (TUBE)	<b>Q25830024</b>
<b>C</b> RING NUT	<b>M37050030</b>
<b>D</b> O RING (RING NUT)	<b>Q25830185</b>
<b>E</b> O RING (COIL)	<b>Q25860033</b>
<b>F</b> TUBE	<b>M83130001</b>
<b>G</b> HEX. PUSHROD	<b>M74470003</b>

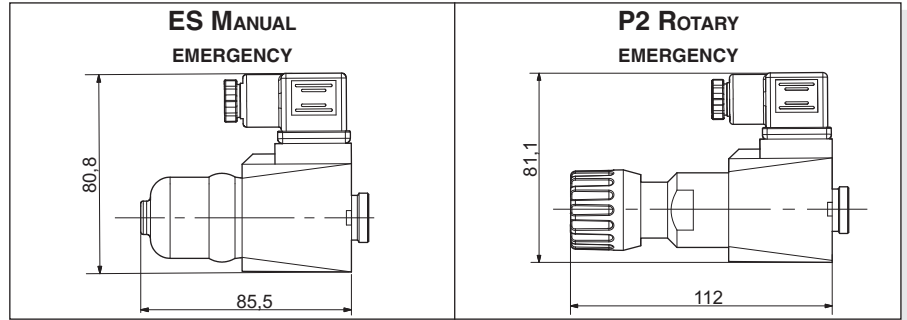


## "B14" AC SOLENOIDS FOR CETOP 3

Type of protection (in relation to the connector used)	IP 65
Number of cycles	18.000/h
Supply tolerance	+10% / -10%
Ambient temperature	-30°C ÷ 60°C
Duty cycle	100% ED
Insulation class wire	H
Weight	0,436 Kg

MOUNTING COMPATIBILITY	
<b>CETOP 3 *</b>	CAP. I • 8
<b>AD3.E... *</b>	CAP. I • 11

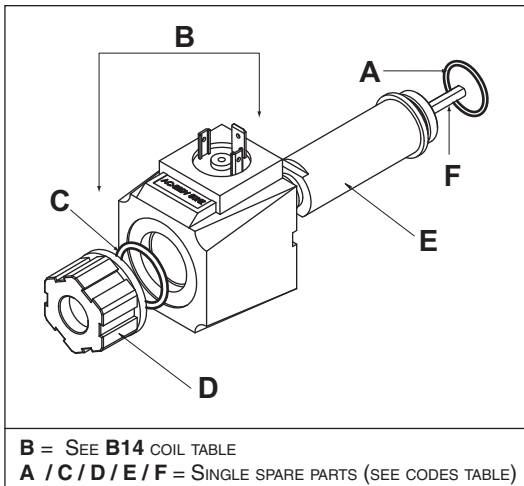
(\* serial No. 3 (AC voltage))



VOLTAGE (V)	MAX. WINDING TEMPERATURE (AMBIENT TEMPERATURE 25°C)	RESISTANCE AT 20°C (OHM) ±10%	RATED POWER (VA)	PICKUP CURRENT (A)
24V/50Hz - 24V/60Hz	100°C - 96°C	1.7	54 - 40	5.6 - 5
48V/50Hz - 48V/60Hz	112°C - 98°C	6.8	45 - 34	5.3 - 5
115V/50Hz - 120V/60Hz *	133°C - 101°C	32.5	61 - 51	3.2 - 3.2
230V/50Hz - 240V/60Hz *	120°C - 103°C	134	62 - 52	1.6 - 1.6

\* The european low voltage directive is applied to electronical equipments used at a nominal voltages between 50 and 1000 VAC or 75 and 1500 VDC. In conformity with the low directive each part of the manifold or the subplate on which the valve is mounted should be connected to a protective earth with a resistance less than 0.1 ohms.

## SPARE PARTS



B14 AC COIL	CONNECTION
<b>VOLTAGE</b>	HIRSCHMANN (STANDARD)
24V/50-60Hz (A)	<b>M14640003</b>
48V/50-60Hz (B)	<b>M14640007</b>
115V/50Hz (J)	<b>M14640006</b>
120V/60Hz	
230V/50Hz (Y)	<b>M14640001</b>
240V/60Hz	
COMPLETE KIT	CODE
TUBE KIT	<b>V85990011</b>
ROTARY EMERGENCY <b>P2</b>	<b>V89990021</b>
MANUAL EMERGENCY <b>ES</b>	<b>M19050001</b>

CODE SPARE PARTS	A	B	C	D	E	F	MONTAGGI POSSIBILI
	O RING	COIL	O RING	RING NUT	TUBE	HEX. PUSHROD	
AD3E*	<b>Q25830024</b>	SEE TABLE <b>B14</b>	<b>Q25860036</b>	<b>M37050041</b>	<b>M831100001</b>	<b>M74520001</b> <b>M74520002</b> <b>M74520003</b>	C - E - F - M G - H - I - L D

(\* serial No. 3 (AC voltage))



## "A16" DC COILS FOR CETOP 5

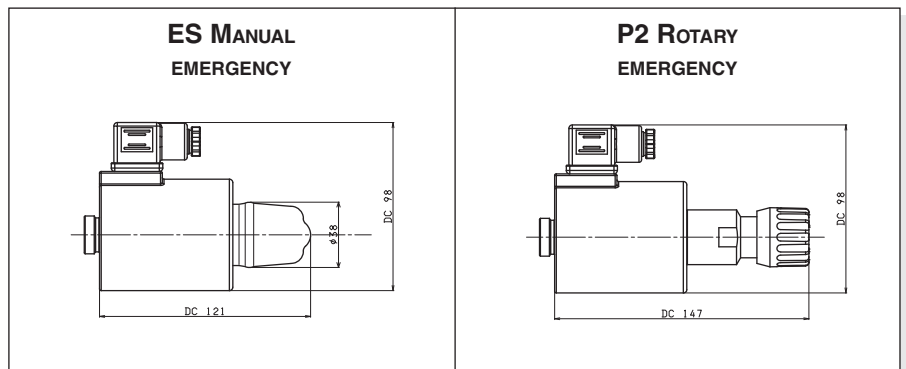
Type of protection (in relation to the connector used)	IP 65
Number of cycles	18.000/h
Supply tolerance	±10%
Ambient temperature	-30°C ÷ 60°C
Duty cycle	100% ED
Insulation class wire	H
Weight	0,9 Kg

MOUNTING COMPATIBILITY	
<b>CETOP 5</b>	CAP. I • 33
<b>AD5E...</b>	CAP. I • 36
<b>CDL10...</b>	CAP. I • 71
<b>ADL106...</b>	CAP. I • 72
<b>A88...</b>	CAP. IV • 33

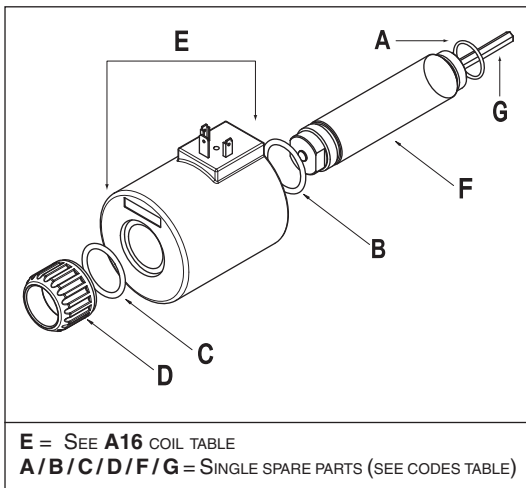
VOLTAGE (V)	MAX WINDING TEMPERATURE (AMBIENT TEMPERATURE 25°C)	RATED POWER (W)	RESISTANCE AT 20°C (OHM) ±7%
12V	106°C	45	3.2
24V	113°C	45	12.4
48V*	-	45	-
102V*(**)	-	45	-
110V*(**)	118°C	45	268
205V*(**)	-	45	-

\* Special voltages

\*\* The european low voltage directive is applied to electrical equipments used at a nominal voltages between 50 and 1000 VAC or 75 and 1500 VDC. In conformity with the low directive each part of the manifold or the subplate on which the valve is mounted should be connected to a protective earth with a resistance less than 0.1 ohms.



## SPARE PARTS



A16 DC/45W COIL	CONNECTION
<b>VOLTAGE</b>	HIRSCHMANN (STANDARD)
12V (L)	<b>M14220002</b>
24V (M)	<b>M14220004</b>
48V* (N)	<b>M14220006</b>
102V* (Z)	<b>M14220013</b>
110V* (P)	<b>M14220008</b>
205V* (X)	<b>M14220014</b>
(*)SPECIAL VOLTAGES	

COMPLETE KIT	AD5E	CDL10	ADL10	A88
<b>P2 ROTARY EMERGENCY</b>	<b>V89990011</b>			-
<b>ES MANUAL EMERGENCY</b>	<b>M19050002</b>			-

12

CODE SPARE PARTS	A	B	C	D	E	F	G	MOUNTING POSSIBLE
	O RING			RING NUT	COIL	TUBE	HEX. PUSHROD	
AD5E ADL/CDL10	<b>Q25830026</b>	<b>Q25860040</b>	<b>Q25860040</b>	<b>M37050033</b>	SEE TABLE <b>A15</b>	<b>M83160001</b>	<b>M74440002</b> <b>M74440003</b> <b>M74440004</b>	C - E - F - M G - H - I - L D
A88							<b>M74440006</b>	-





## "D19" DC SOLENOIDS

Type of protection (in relation to the connector used)	IP 66
Number of cycle	18.000/h
Supply tolerance	±10%
Ambient temperature	-25°C ÷ 60°C
Duty cycle	100% ED
Max static pressure	210 bar
Insulation class wire	H
Weight	1,63 Kg

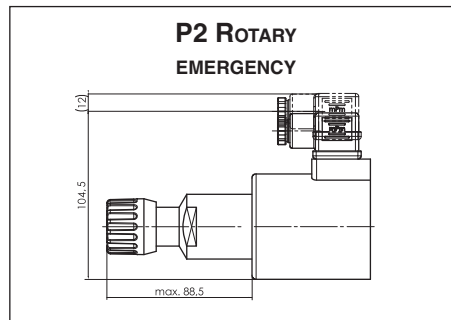
### MOUNTING COMPATIBILITY

<b>ADP5E...</b>	CAP. I • 41
<b>ADP5V...</b>	CAP. I • 44

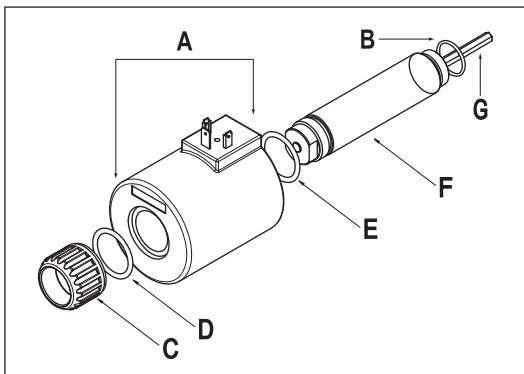
VOLTAGE (V)	MAX WINDING TEMPERATURE (AMBIENT TEMPERATURE 25°C)	RATED POWER (W)	RESISTANCE AT 20°C (OHM) ±10%
12V	105°C	42	3.43
24V	105°C	42	13.71
48V*	105°C	42	55
102V*(**)	105°C	42	248
110V*(**)	105°C	42	288
205V*(**)	105°C	42	1000

\* Special voltage

\*\* The european low voltage directive is applied to electrical equipments used at a nominal voltages between 50 and 1000 VAC or 75 and 1500 VDC. In conformity with the low directive each part of the manifold or the subplate on which the valve is mounted should be connected to a protective earth with a resistance less than 0.1 ohms.



## SPARE PARTS



**A** = SEE D19 COIL TABLE  
**B/C/D/E/F/G** = SINGLE SPARE PARTS (SEE CODES TABLE)

D19 DC/42W COIL	CONNECTION
<b>VOLTAGE</b>	HIRSCHMANN (STANDARD)
12V (L)	<b>M14270001</b>
24V (M)	<b>M14270002</b>
48V* (N)	<b>M14270003</b>
102V* (Z)	<b>M14270007</b>
110V* (P)	<b>M14270005</b>
205V* (X)	<b>M14270008</b>
(*)SPECIAL VOLTAGES	

COMPLETE KIT	ADP5E	ADP5V
<b>P2 ROTARY EMERGENCY</b>	<b>V89990012</b>	

CODE SPARE PARTS B / C / D / E / F / G	FOR ADP5E AND ADP5V
<b>B</b> O RING (TUBE)	<b>Q25830101</b>
<b>C</b> RING NUT	<b>M37050022</b>
<b>D</b> O RING (RING NUT)	<b>Q25830035</b>
<b>E</b> O RING (COIL)	<b>Q25860035</b>
<b>F</b> TUBE	<b>M83170002</b>
<b>G</b> HEX. PUSHROD	<b>M74380002</b>

12

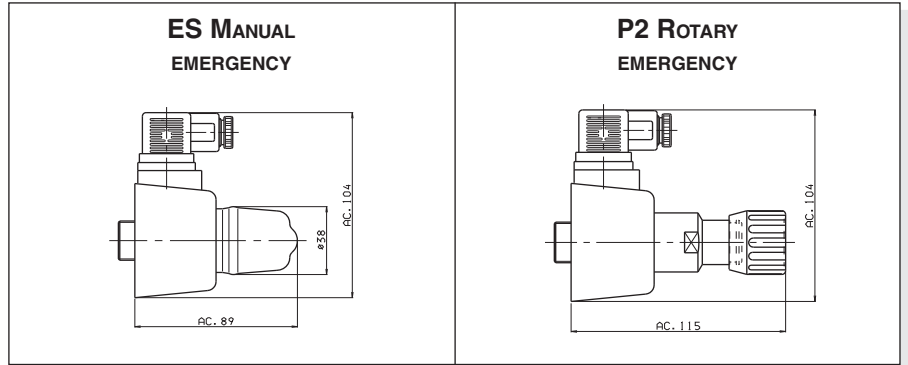




## "K16" AC SOLENOIDS FOR CETOP 5

Type of protection (in relation to the connector used)	IP 66
Number of cycles	18.000/h
Supply tolerance	+10% / -10%
Ambient temperature	-54°C ÷ 60°C
Duty cycle	100% ED
Max. pressure static	210 bar
Insulation class wire	H
Weight	0,8 Kg

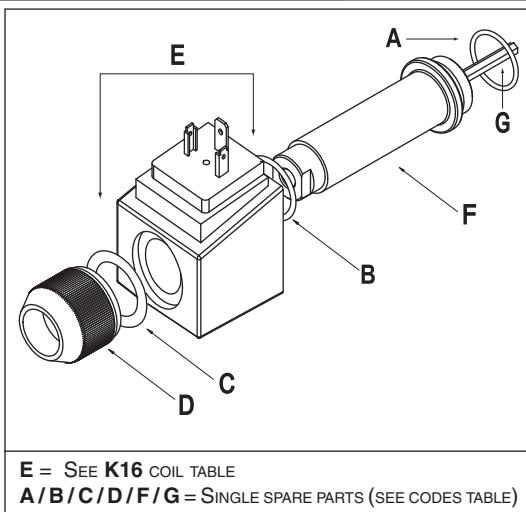
MOUNTING COMPATIBILITY	
<b>CETOP 5</b>	CAP. I • 33
<b>AD5.E...</b>	CAP. I • 36



VOLTAGE (V)	MAX. WINDING TEMPERATURE (AMBIENT TEMPERATURE 25°C)	RATED POWER (VA)	IN RUSH CURRENT (VA)	RESISTANCE AT 20°C (OHM) ±10%
24V/50Hz	134°C	124	454	0.56
24V/60Hz*	115°C	103.5	440	0.55
48V/50Hz*	134°C	113	453	2.10
115V/50Hz-120V/60Hz*(**)	121°C - 138°C	121-101	471-487	10.8
230V/50Hz-240V/60Hz*(**)	121°C - 138°C	120-101	478-485	43.0
240V/50Hz*(**)	134°C	120	456	47.39

\*\* The european low voltage directive is applied to electrical equipments used at a nominal voltages between 50 and 1000 VAC or 75 and 1500 VDC. In conformity with the low directive each part of the manifold or the subplate on which the valve is mounted should be connected to a protective earth with a resistance less than 0.1 ohms.

## SPARE PARTS



K16 AC COIL	CONNECTION
VOLTAGE	HIRSCHMANN (STANDARD)
24V/50Hz (A)	<b>M14300010</b>
24V/60Hz* (F)	<b>M14300012</b>
48V/50Hz* (B)	<b>M14300014</b>
115V/50Hz (J) 120V/60Hz	<b>M14300029</b>
230V/50Hz (Y) 240V/60Hz	<b>M14300027</b>
240V/50Hz* (E)	<b>M14300025</b>
(*)SPECIAL VOLTAGES	

<b>COMPLETE KIT</b>	AD5E
<b>P2 ROTARY EMERGENCY</b>	<b>V89990002</b>
<b>ES MANUAL EMERGENCY</b>	<b>M19050002</b>

12

CODE SPARE PARTS	A	B	C	D	E	F	G	MOUNTING AVAILABLES
	O RING			RING NUT	COIL	TUBE	HEX. PUSHROD	
AD5E	<b>Q25830026</b>	<b>Q25860026</b>	<b>Q25830187</b>	<b>M37050005</b>	SEE TABLE K15	<b>M83300000</b>	<b>M74210000</b> <b>M74160000</b> <b>M74700000</b>	C - E - F - M G - H - I - L D



## "22W" DC COILS

Type of protection (in relation to the connector)	IP 65
Number of cycles	18.000/h
Supply tolerance	+10% / -10%
Ambient temperature	-30°C ÷ 60°C
Duty cycle	100% ED
Insulation class wire	H
Weight	0,2 Kg

### MOUNTING COMPATIBILITY

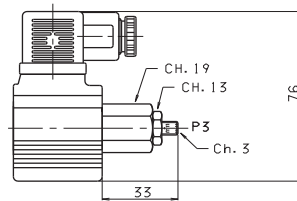
<b>CRP/CRD</b>	CARTRIDGE CATALOGUE
<b>C2V02...</b>	CARTRIDGE CATALOGUE

VOLTAGE (V)	MAX. WINDING TEMPERATURE (AMBIENT TEMPERATURE 25°C)	RATED POWER (W)	RESISTANCE AT 20°C (OHM) ±10%
12V	116 °C	22	6.3
24V	115 °C	22	25.6
48V*	114 °C	22	102
102V*(**)	-	22	467.85
205V*(**)	-	22	1954

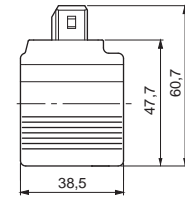
\* SPECIAL VOLTAGE

\*\* The european low voltage directive is applied to electrical equipments used at a nominal voltages between 50 and 1000 VAC or 75 and 1500 VDC. In conformity with the low directive each part of the manifold or the subplate on which the valve is mounted should be connected to a protective earth with a resistance less than 0.1 ohms.

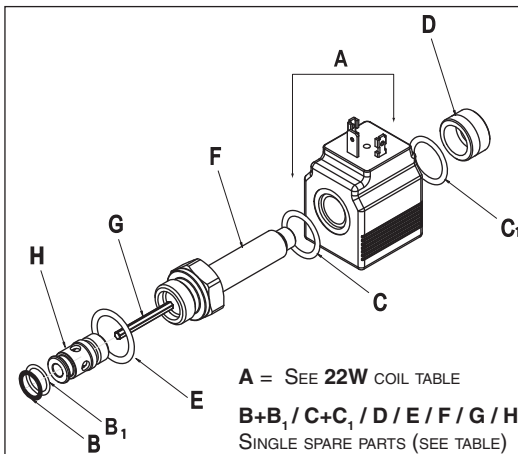
### PS ROTARY EMERGENCY



### AMP JUNIOR (AJ)



## SPARE PARTS



22W DC COIL	CONNECTIONS	
VOLTAGE	STANDARD	AMP JUNIOR (AJ)
12V (L)	<b>M14040001</b>	<b>M14730001</b>
24V (M)	<b>M14040002</b>	<b>M14730002</b>
48V* (N)	<b>M14040003</b>	—
102V* (Z)	<b>M14040006</b>	—
205V* (X)	<b>M14040007</b>	—
(*) SPECIAL VOLTAGES		

COMPLETE KIT	CRP02NA	CRD01/02	CRP02NC	C2V02	C3V02
PS ROTARY EMERGENCY	<b>V89990014</b>	<b>V89990005</b>		-	

CODE SPARE PARTS	B PARBAK	B <sub>1</sub> O RING	C + C <sub>1</sub> O RING (R. NUT/COIL)	C + C <sub>1</sub> RING NUT	E + F TUBE (+ O RING TUBE)	G HEX. PUSHROD	H VALVE SEAT
	VALVE SEAT						
CRP02NC...E			Q25860055	M37050026	<b>R83100B83</b>	<b>M86150006</b>	M70150003
CRP02NC...S	<b>Q25780026</b>	<b>Q25830015</b>			<b>R83100B82</b>	<b>M86150004</b>	
CRP02NA...E					<b>R83100B84</b>	<b>M86150004</b>	
CRD01...A	<b>Q25780026</b>	<b>Q25830015</b>			<b>R83100B85</b>	<b>M74440000</b>	M70150004
CRD01...B	<b>Q25780030</b>	<b>Q25830021</b>				<b>M74440000</b>	M70150005
CRD02...A	<b>Q25780026</b>	<b>Q25830015</b>				<b>M74440001</b>	M70150004
CRD02...B	<b>Q25780030</b>	<b>Q25830021</b>		M70150005			

CODE SPARE PARTS	B PARBAK	B <sub>1</sub> O RING	C + C <sub>1</sub> O RING (R. NUT/COIL)	C + C <sub>1</sub> RING NUT	E O RING (TUBE)	F TUBE	G HEX. PUSHROD	H VALVE SEAT
	VALVE SEAT							
C2V02NC...			Q25860055	M37050026	Q25861010	M83040005	<b>M50070002</b>	M70400002
C2V02NA...	<b>Q25780026</b>	<b>Q25830015</b>					<b>M50070003</b>	
C3V02...	-	<b>Q25880036</b> <b>Q25880045</b>					<b>M50070001</b>	M70400001



## "30W" DC COILS

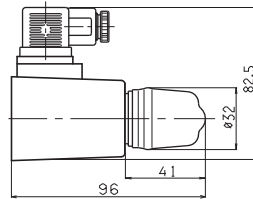
Type of protection (in relation to the connector used)	IP 65
Number of cycles	18.000/h
Supply tolerance	+10% / -10%
Ambient temperature	-54°C ÷ 60°C
Duty cycle	100% ED
Insulation class wire	H
Weight	0,2 Kg

### MOUNTING COMPATIBILITY

CRD04... CARTRIDGE CATALOGUE

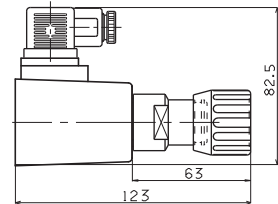
VOLTAGE (V)	MAX. WINDING TEMPERATURE (AMBIENT TEMPERATURE 25°C)	RATED POWER (W)	RESISTANCE AT 20°C (OHM) ±10%
12V	108°C	30	4.7
24V	108°C	30	18.8

### ES MANUAL EMERGENCY

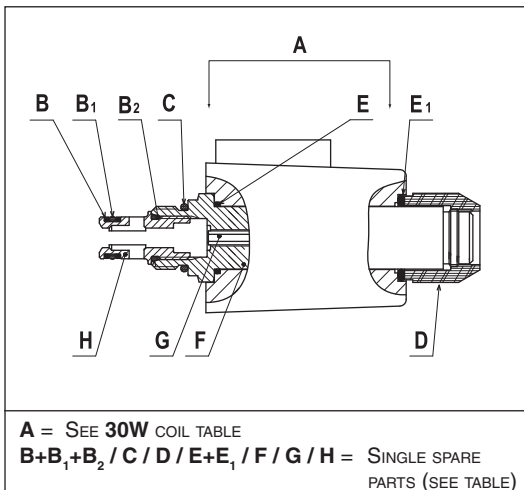


FLUSSO	FORZA AZIONAMENTO
2 → 1	10N
1 → 2	10+ (2,5 x P) N
P = PRESSIONE DI UTILIZZO (BAR)	

### P2 ROTARY EMERGENCY



## SPARE PARTS



30W DC COIL	
12V	24V
M14100010 (L)	M14100011 (M)

COMPLETE KIT	CDL04
P2 ROTARY EMERGENCY	V89990007
ES MANUAL EMERGENCY	M19050001

	B PARBAK	B <sub>1</sub> O RING	B <sub>2</sub> O RING	C O RING (TUBE)	D RING NUT	E O RING (COIL)	E <sub>1</sub> O RING (RING NUT)	F TUBE	G HEX. PUSHROD	H VALVE SEAT
VERS. A	Q25780026	Q25830015	Q25831017	Q25861010	M37050004	Q25830026	Q25830183	R83200997	M74360000	M70150004
VERS. B	Q25780030	Q25830021								M70150005