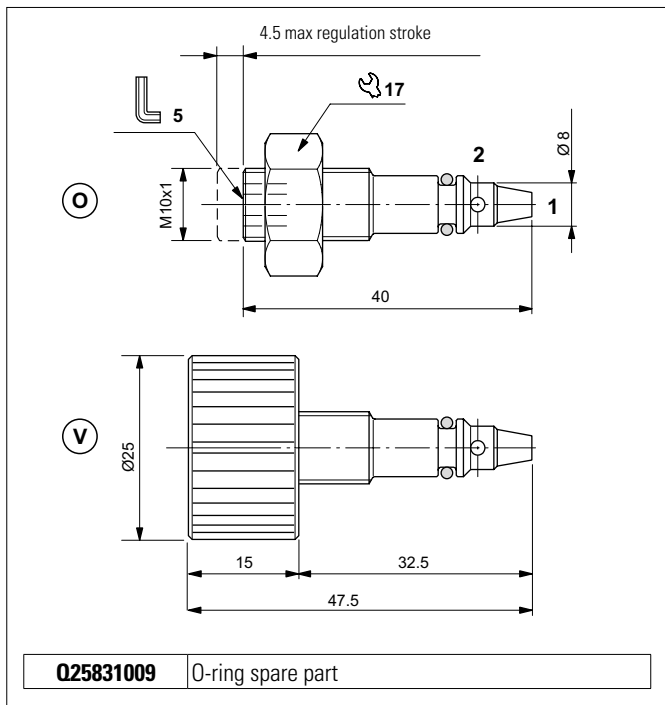


UNIDIRECTIONAL AND BIDIRECTIONAL FLOW CONTROL VALVES

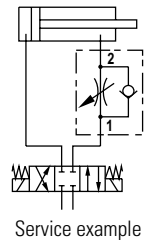
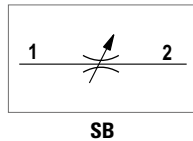
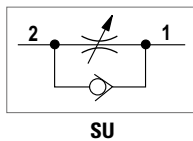


Flow control valve using non compensated throttling.
 The flow is reduced in one direction only, from 2 to 1, for SU valves and in both directions for SB valves.
 Guarantees excellent mechanical seal with negligible leakage.
 It has a galvanised steel body. The check valve guided ball poppet is in tempered and ground steel.

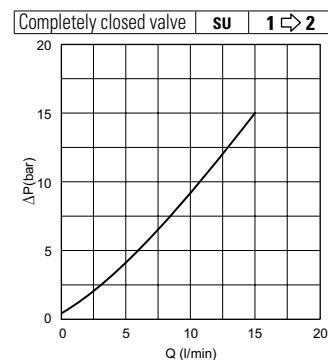
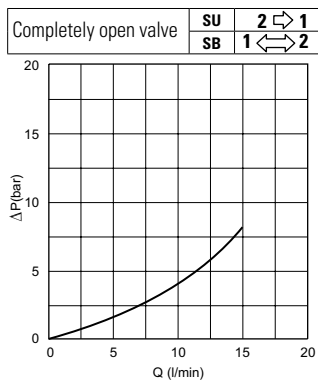
HYDRAULIC FEATURES

Max. working pressure	210 bar
Max. Flow	15 l/min
Hydraulic fluid	DIN 51524 Mineral oils
Fluid viscosity	10 ÷ 500 mm ² /s
Fluid temperature	-25°C ÷ 75°C
Ambient temperature	-25°C ÷ 60°C
Max. contamin. level class with filter	ISO 4406:1999 - class 19/17/14
Weight	0.022 kg
Nut tightening torque	15 Nm
Cavity (M10x1)	CN019002 (See section 17)

HYDRAULIC SYMBOLS



PRESSURE DROPS



Fluid used: mineral based oil with viscosity 32 mm²/s at 40°C.

ORDERING CODE

