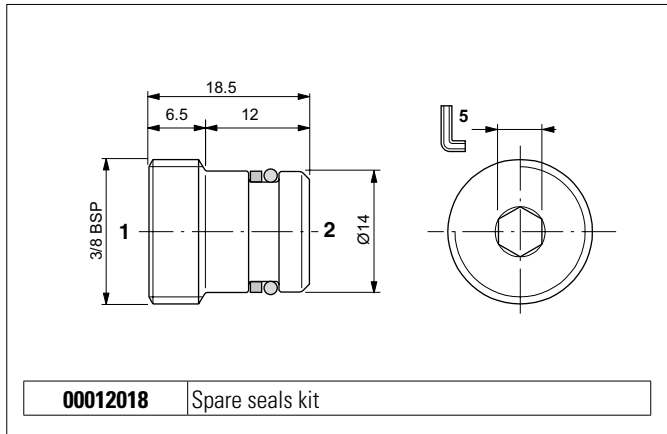


ONE-WAY CHECK VALVES



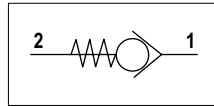
The unidirectional check valve allows oil to flow in only one direction. The guided ball seal is made of tempered and ground steel. The spring allows the valve to be mounted in any position. Steel body.

HYDRAULIC FEATURES

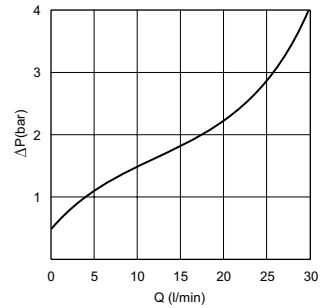
Max. working pressure	300 bar
Max. Flow	30 l/min
Max. Leakage (0 ÷ 5 drops/min)	0 ÷ 0.25 cm ³ /min
Hydraulic fluid	DIN 51524 Mineral oils
Fluid viscosity	10 ÷ 500 mm ² /s
Fluid temperature	-25°C ÷ 75°C
Ambient temperature	-25°C ÷ 60°C
Max. contamin. level class with filter	ISO 4406:1999 - class 19/17/14
Weight	0.09 kg
Tightening torque	16 ÷ 18 Nm
Cavity (3/8 BSP)	CG03004 (See section 17)

4

HYDRAULIC SYMBOL



PRESSURE DROPS



Fluid used: mineral based oil with viscosity 32 mm²/s at 40°C.

ORDERING CODE

