



BREVINI[®]

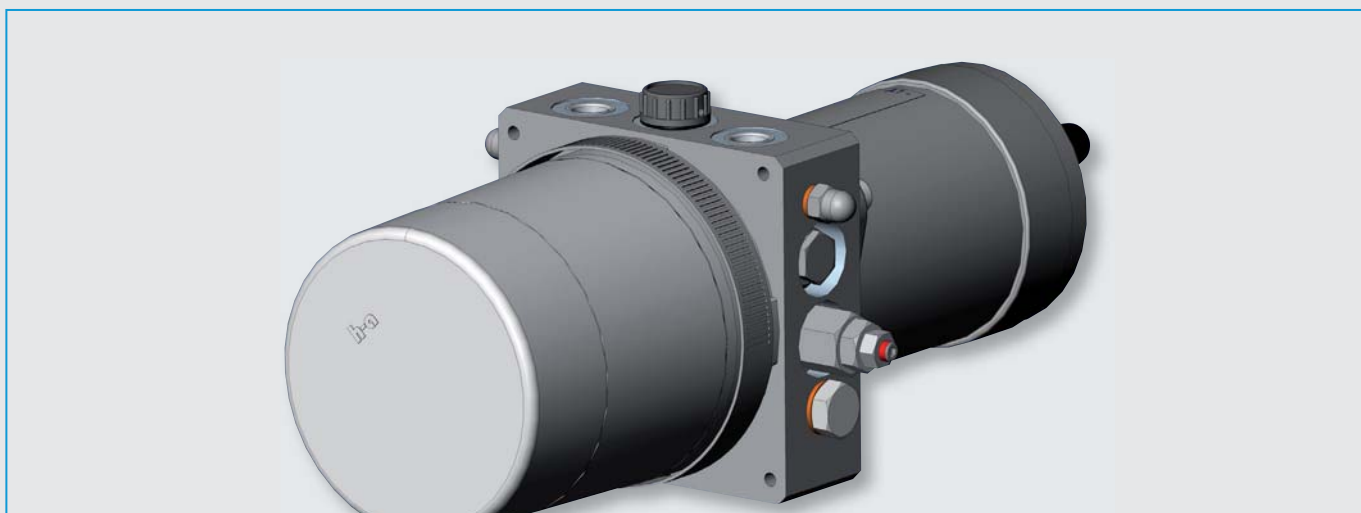
Motion Systems

MW HYDRAULIC POWER UNIT

Technical Catalogue

January
2018

web edition



© 2018 Dana Brevini S.p.A. All rights reserved. Hydr-App, SAM Hydraulik, Aron, Brevini Hydraulics, BPE Electronics, VPS Brevini, OT Oiltechnology, logos are trademarks or are registered trademarks of Dana Brevini S.p.A. or other companies of the Dana Group in Italy and other countries.

The technical features supplied in this catalogue are non binding and no legal action can be taken against such material. Dana Brevini will not be held responsible for information and specifications which may lead to error or incorrect interpretations. Given the continuous technical research aimed at improved technical features of our products, Dana Brevini reserves the right to make change that are considered appropriate without any prior notice. This catalogue cannot be reproduced (in whole or in part) without the prior written consent of Dana Brevini. This catalogue supersedes all previous ones.

Use of the products in this catalogue must comply with the operating limits given in the technical specifications. The type of application and operating conditions must be assessed as normal or in malfunction in order to avoid endangering the safety of people and/or items.

ORDERING CODE

MW* - A* / A* - P* - M** - T** - F*

Hydraulic power unit type		Page
MW	Standard	2
MW1	With cylinder differential volume drain and manual override	3
MW2	With cylinder differential volume drain	4

A	Pressure relief valve on P1 (screw adjustment)
----------	---

Setting range		Page
A	25 ÷ 80 bar	2
B	75 ÷ 220 bar	
C	5 ÷ 30 bar	

A	Pressure relief valve on P2 (screw adjustment)
----------	---

Setting range		Page
A	25 ÷ 80 bar	2
B	75 ÷ 220 bar	
C	5 ÷ 30 bar	

P	Reverse pump PHV 0.5
----------	----------------------

Nominal displacement		Page
A	0.25 cc/rev	5
B	0.45 cc/rev	
C	0.56 cc/rev	
D	0.75 cc/rev	
J	0.92 cc/rev	
Z	1.26 cc/rev	

Mounting type		Page
0	Verticale without tank	11 12 13 14
1	Horizontal	
2	Vertical	
3		
4		
5		

F	Mounting position tank
----------	------------------------

Tank type		Page
K05	0.5 liters	11 12 12 13 13
K1	1 liter	
H1	1 liter	
Q1	1 liter	
Q2	2 liters	
01	1 liter	14
02	2 liters	
03	3 liters	
05	5 liters	
06	6 liters	
08	8 liters	

T	Tank
----------	------

0-5-6-7-8	Mounting position motors	Pages 8-6-10
------------------	--------------------------	--------------

DC motors		Page	AC motors		Page
GA	12V CC - 0.35 kW	6	R	Size 63	10
GB	24V CC - 0.40 kW	6	L	Size 71	10
HF	12V CC - 0.50 kW	7	M	Size 80	10
HE	24V CC - 0.50 kW	7			
GC	12V CC - 0.70 kW	8			
GD	24V CC - 0.80 kW	8			
GU	12V CC - 0.80 kW	9			
GZ	24V CC - 0.80 kW	9			

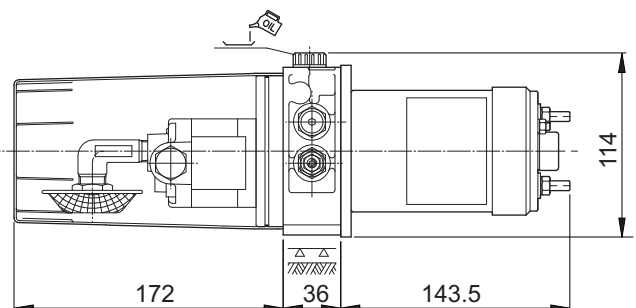
M	DC/AC motors
----------	--------------

ORDERING CODE EXAMPLE

MW- AA/AA- PB- MGB5- TK1-F1

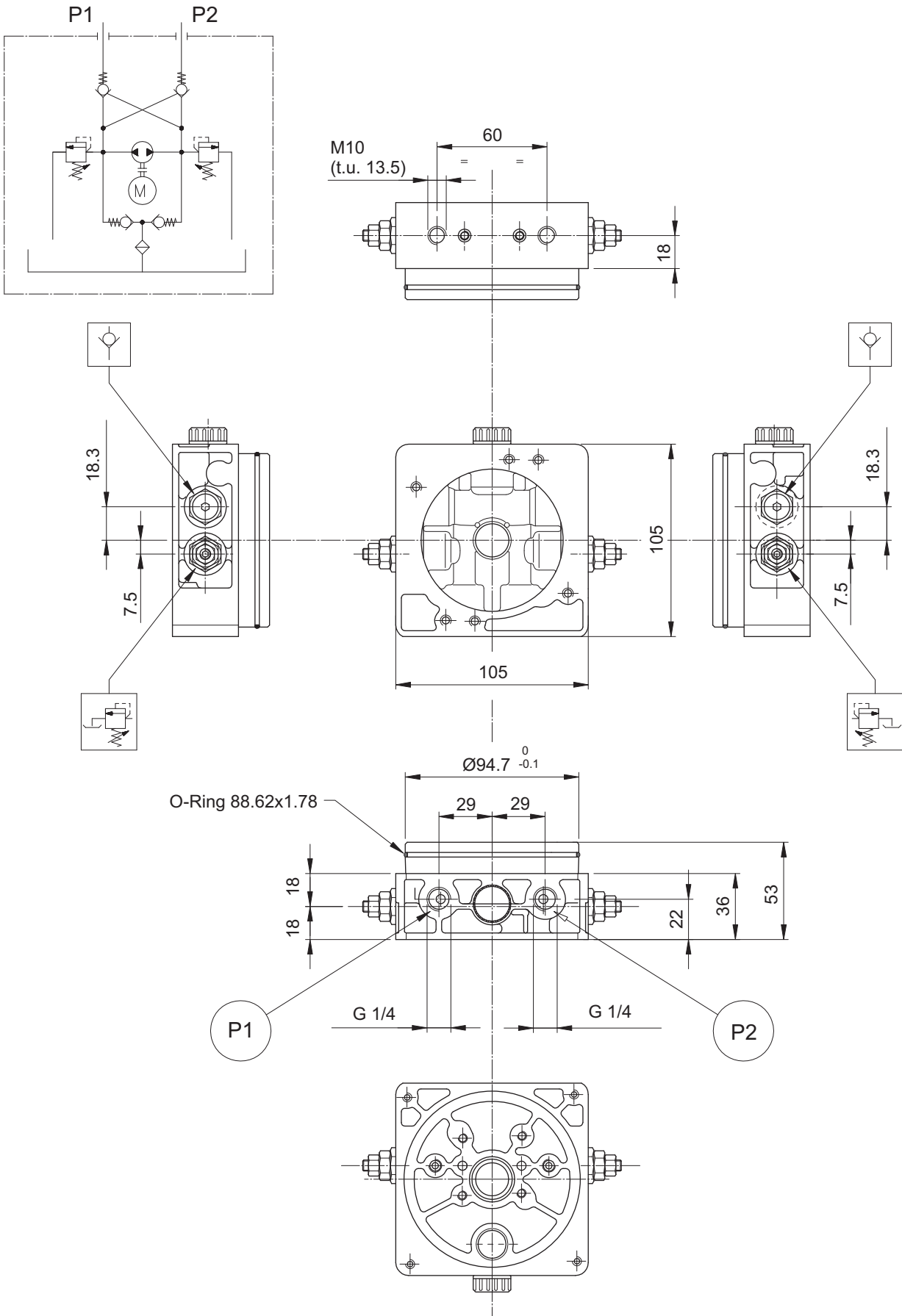
Hydraulic power unit type MW reversible type, with pressure relief valve on P1, setting 25 to 80 bar with adjustable screw, pressure relief valve on P2 setting 25 to 80 bar with adjustable screw, pump a 0.45 cc/rev, DC motor 24 Volt 0.4 kW in standard mounting position, standard 1-liter fuel tank mounted horizontally.

STANDARD VERSION OVERALL DIMENSIONS



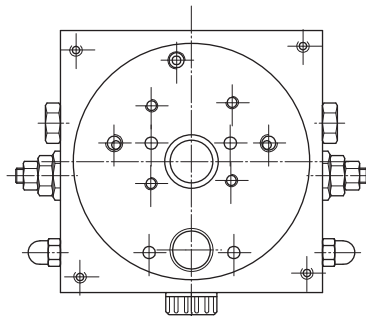
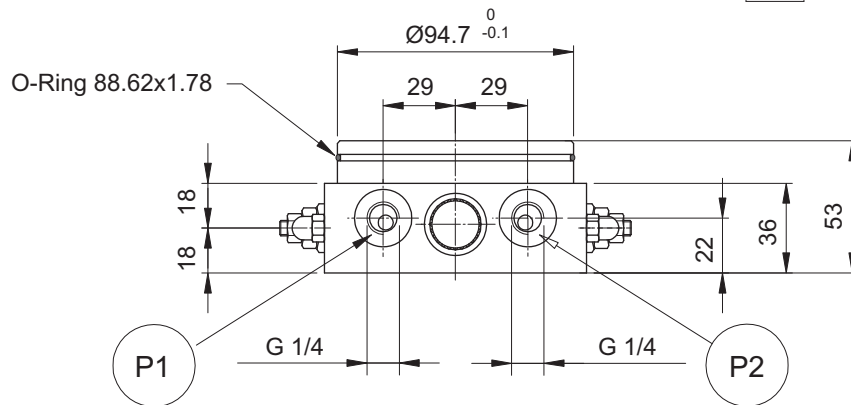
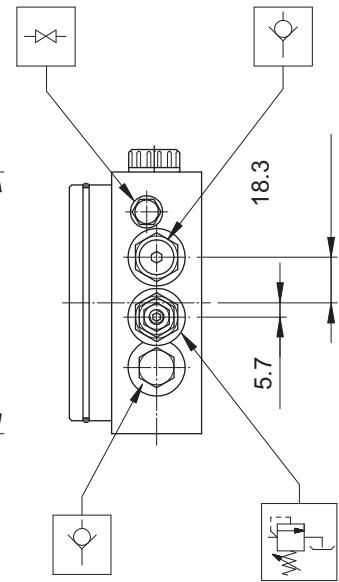
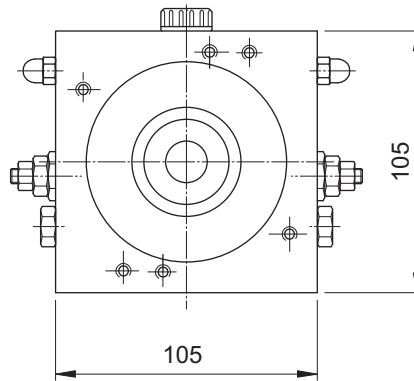
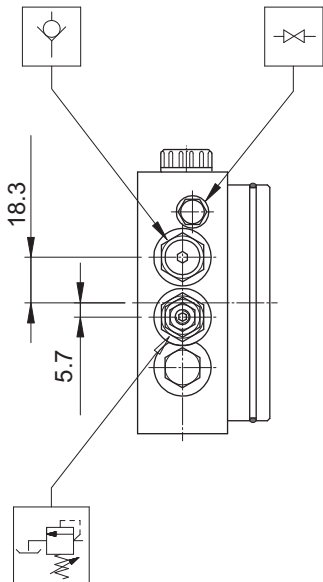
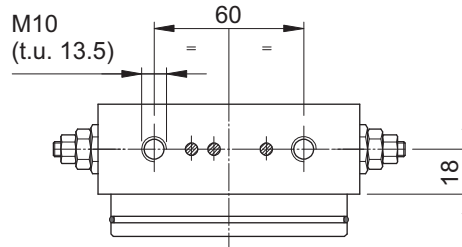
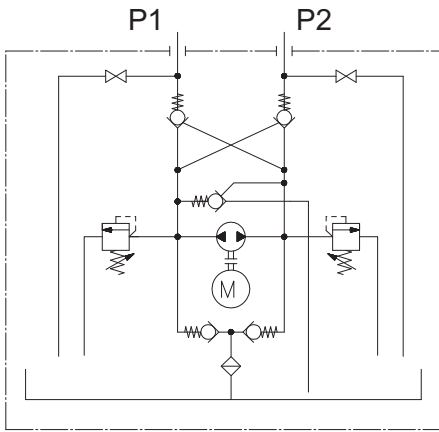
MW HYDRAULIC POWER UNIT

STANDARD VERSION



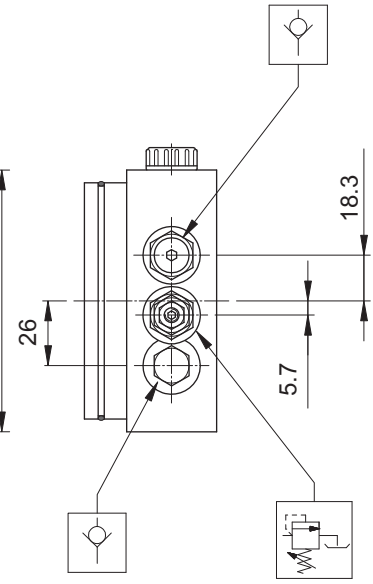
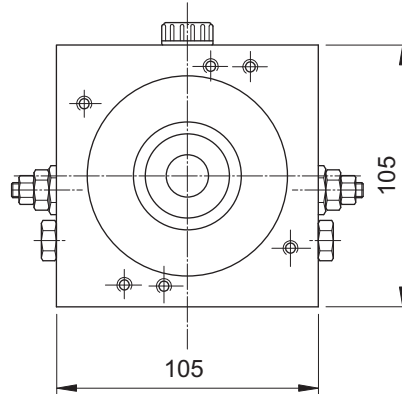
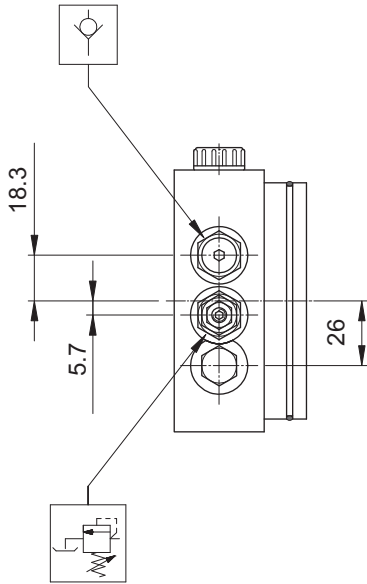
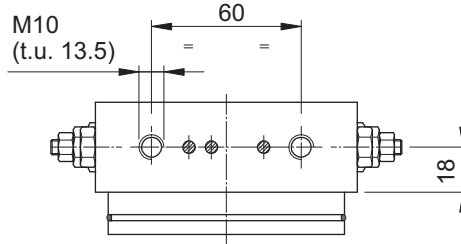
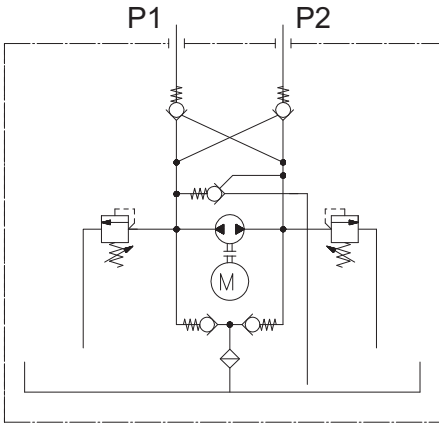
MW1 HYDRAULIC POWER UNIT

WITH CYLINDER DIFFERENTIAL VOLUME DRAIN AND MANUAL OVERRIDE

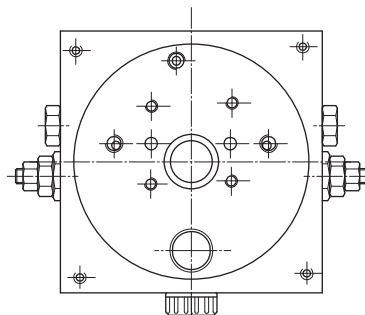
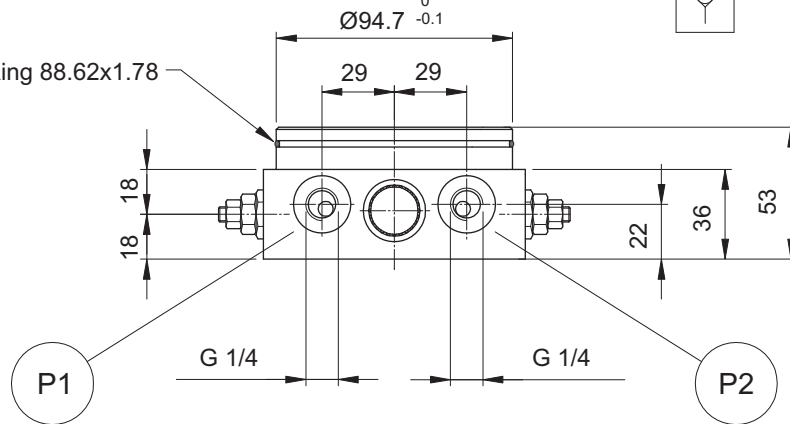


MW2 HYDRAULIC POWER UNIT

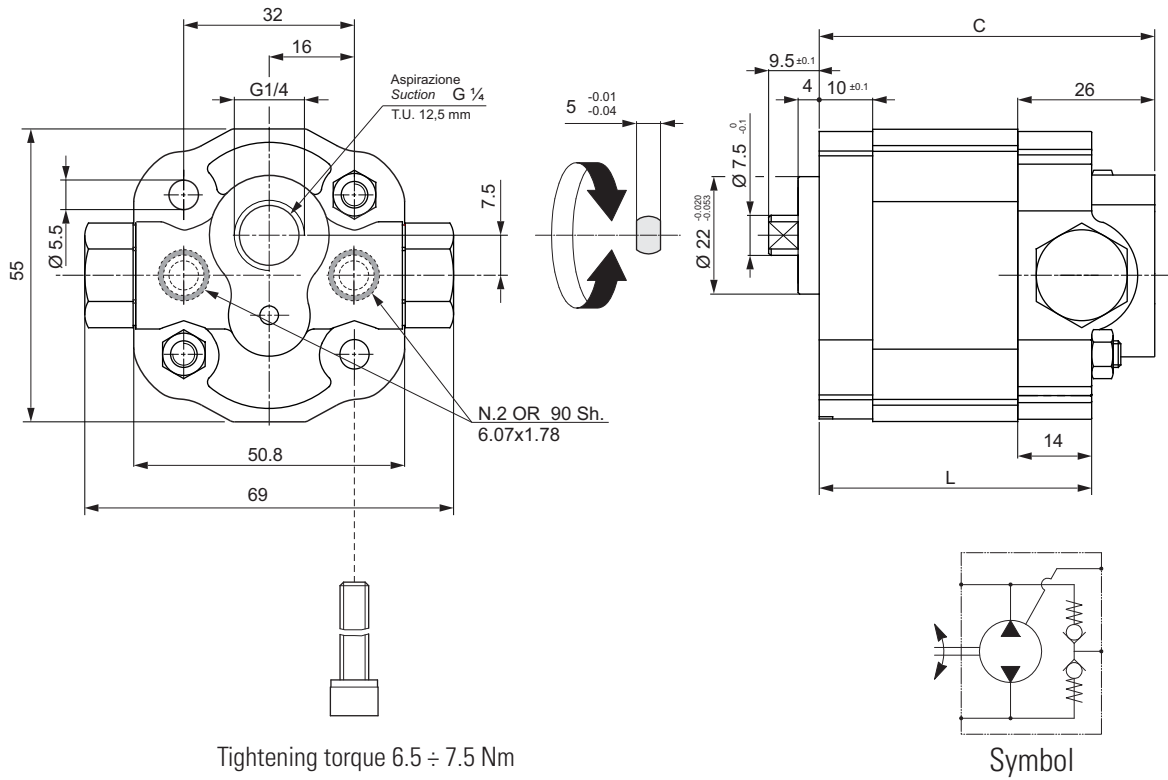
WITH CYLINDER DIFFERENTIAL VOLUME DRAIN



O-Ring 88.62x1.78

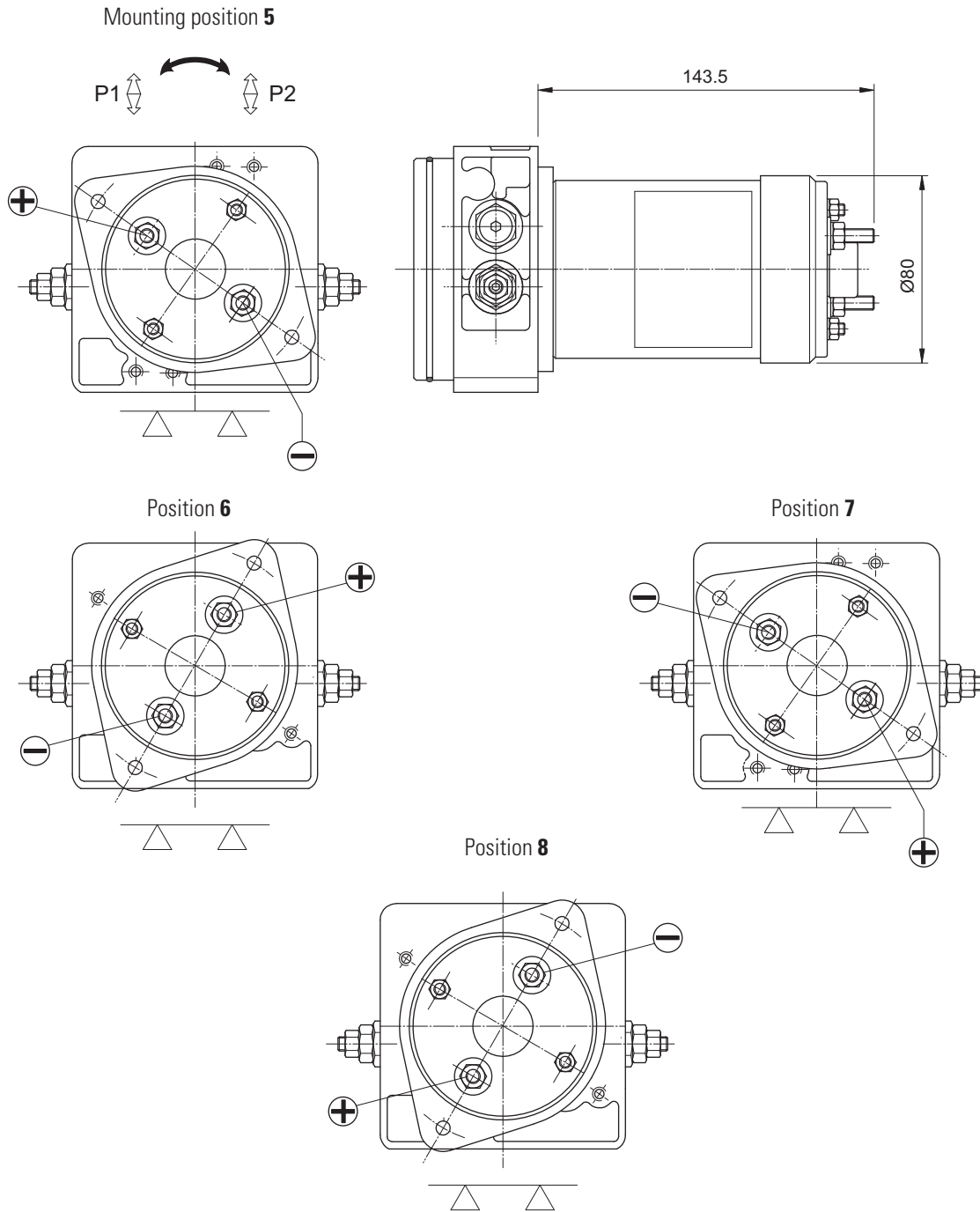


PUMP GR 05 OVERALL DIMENSIONS



Code	Nominal displacement (cc/rev)	C (mm)	L (mm)	Pump code	Pump Kit code	Max working pressure (bar)	Peak pressure (bar)	Max RPM (rpm)
A	0.30	61.5	49.5	23006700.036	17050062.036	210	250	7000
B	0.50	63.2	51.2	23006800.036	17050063.036	210	250	7000
C	0.62	64.2	52.2	23006900.036	17050064.036	210	250	6500
D	0.84	66.0	54.0	23007000.036	17050065.036	210	250	6500
J	1.00	67.3	55.3	23008800.036	17050066.036	210	250	6000
Z	1.25	69.4	57.4	23007100.036	17050067.036	210	250	6000

12VDC 0.35 KW / 24VDC 0.40 KW MOTORS



For more details, features and performances DC motors, see catalog Dana Brevini cod. DOC00053.

ORDERING CODE

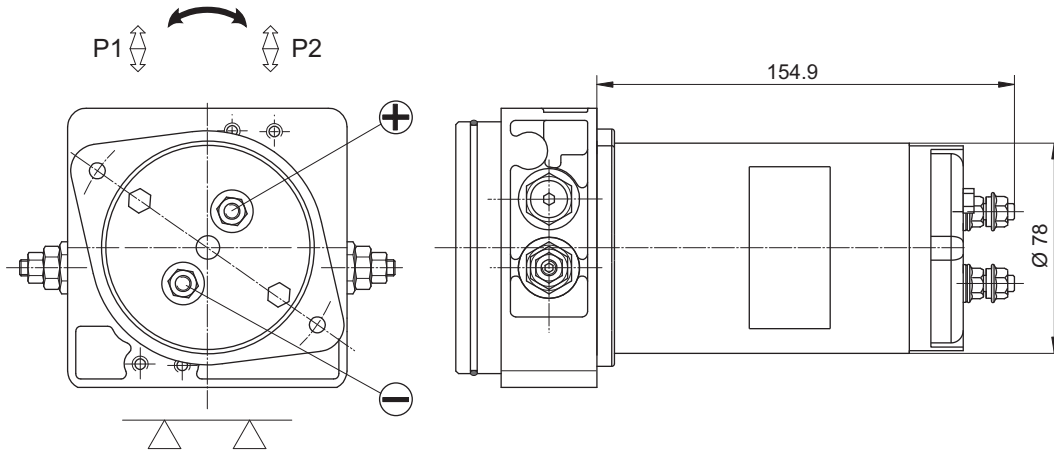
M	**	*	Code	Description	Motor
			GA	12VDC motor - 0.35 kW	25021400
			GB	24VDC motor - 0.40 kW	25021500

M	**	*	Code	Mounting position
			5	Position 5
			6	Position 6
			7	Position 7
			8	Position 8

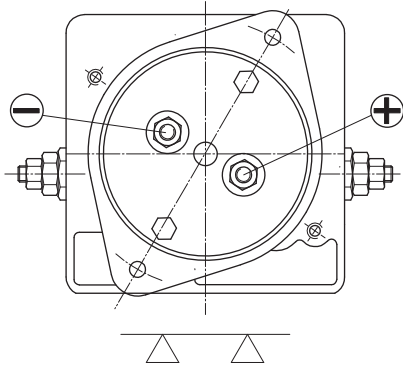
- DC motors permanent magnet
- Rotation CCW-CW
- Protection class IP54
- Insulation class F

12VDC 0.50 KW / 24VDC 0.50 KW MOTORS

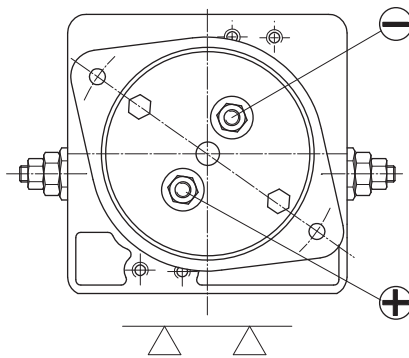
Mounting position 5



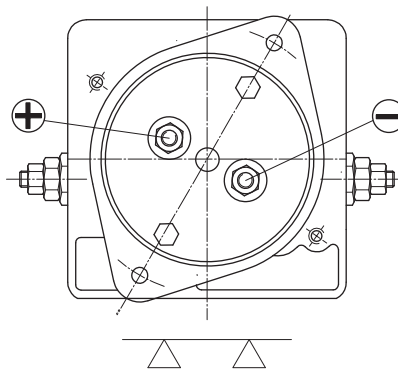
Position 6



Position 7



Position 8



For more details, features and performances DC motors, see catalog Dana Brevini cod. DOC00053.

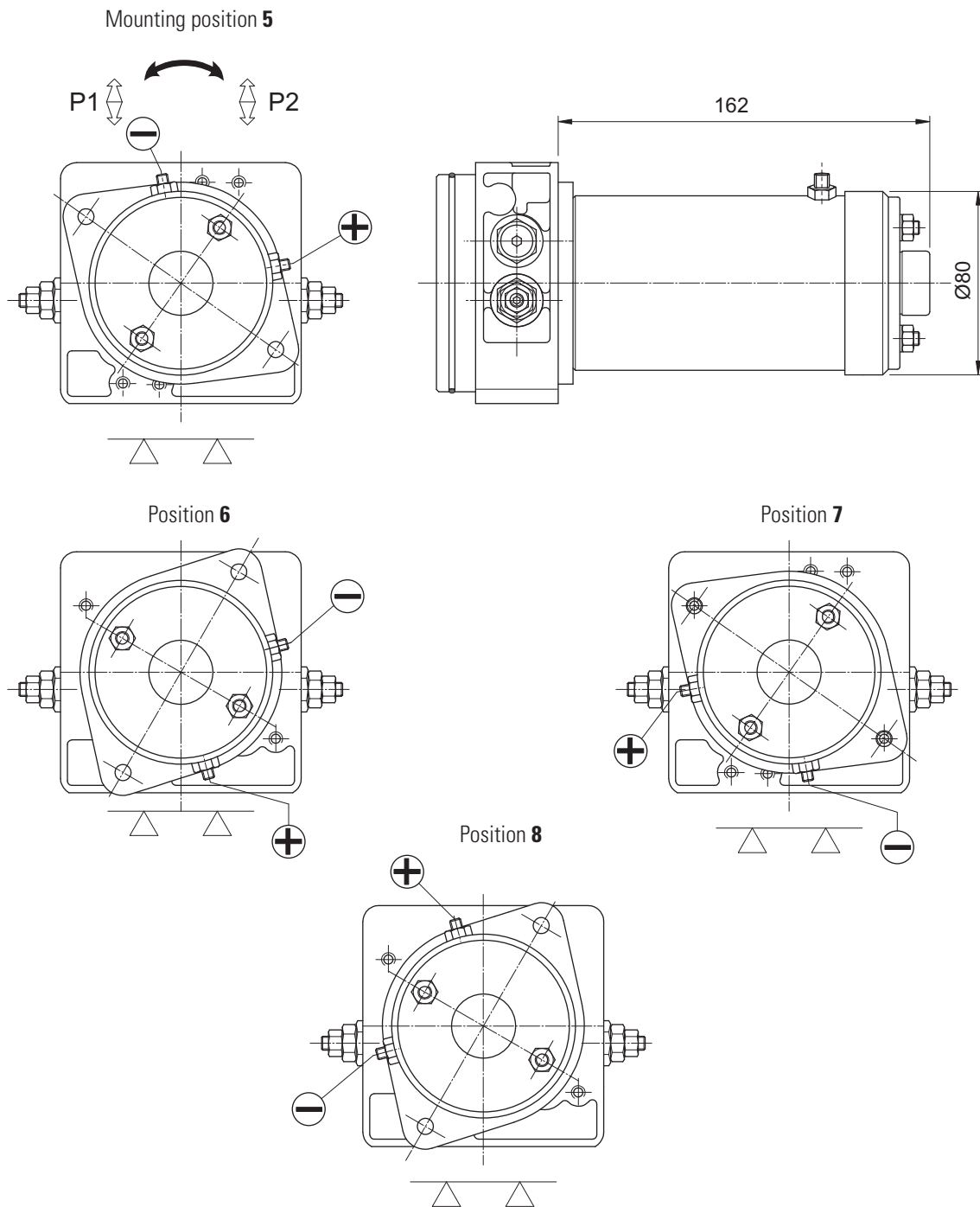
ORDERING CODE

M	**	*	Code	Description	Motor
			HF	Motor 12VDC - 0.50 kW	25024200
			HE	Motor 24VDC - 0.50 kW	25024300

M	**	*	Code	Mounting position
			5	Position 5
			6	Position 6
			7	Position 7
			8	Position 8

- DC motors permanent magnet
- Rotation CCW-CW
- Protection class IP54
- Insulation class F

12VDC 0,7 KW / 24VDC 0,8 KW MOTORS



For more details, features and performances DC motors, see catalog Dana Brevini cod. DOC00053.

ORDERING CODE

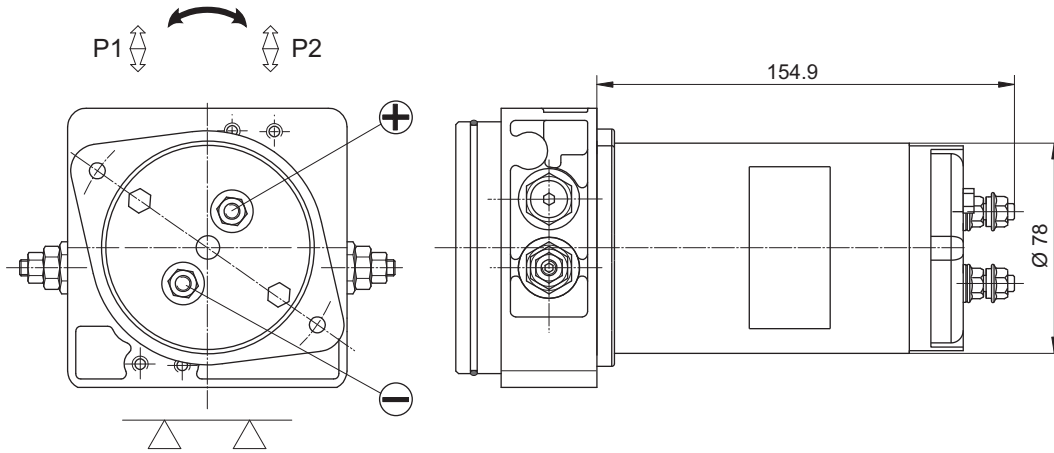
M	**	*	Code	Description	Motor
			GC	12VDC motor - 0.7 kW	25021600
			GD	24VDC motor - 0.8 kW	25021700

M	**	*	Code	Mounting position
			5	Position 5
			6	Position 6
			7	Position 7
			8	Position 8

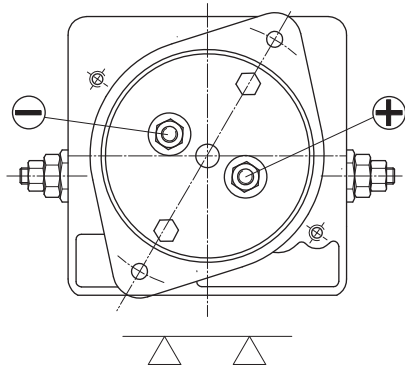
- DC motors permanent magnet
- Rotation CCW-CW
- Protection class IP54
- Insulation class F

12VDC 0.80 KW / 24VDC 0.80 KW MOTORS

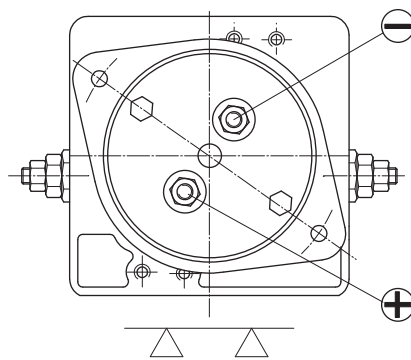
Mounting position 5



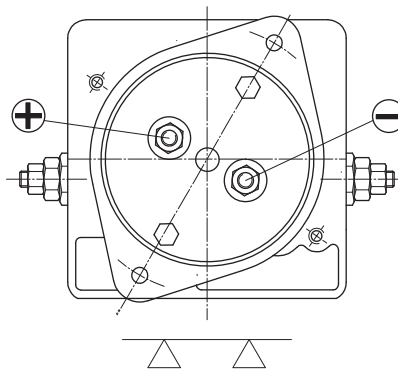
Position 6



Position 7



Position 8



For more details, features and performances DC motors, see catalog Dana Brevini cod. DOC00053.

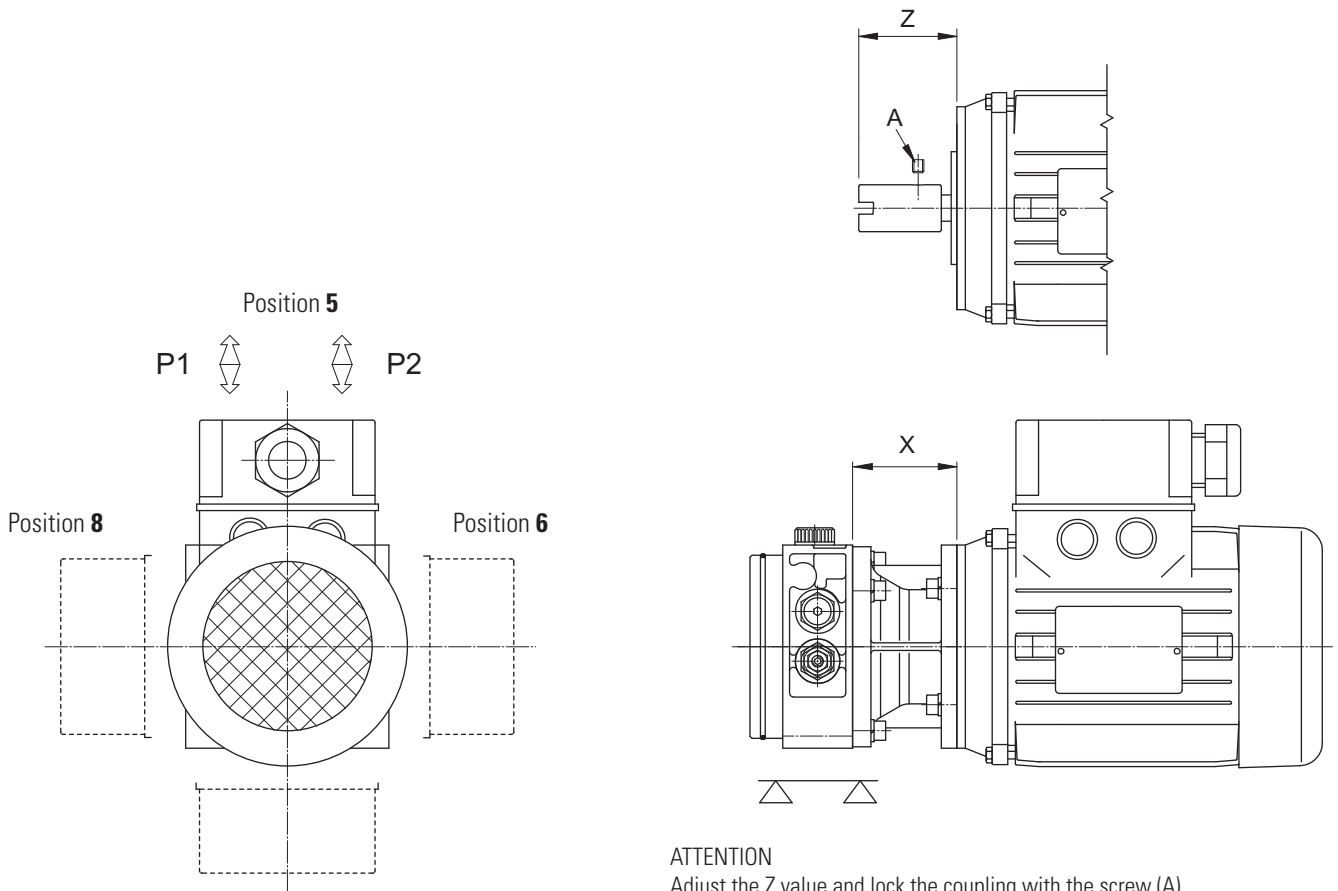
ORDERING CODE

M	**	*	Code	Description	Motor
			GU	Motor 12VDC - 0.80 kW	25021800
			GZ	Motor 24VDC - 0.80 kW	25021900

M	**	*	Code	Mounting position
			5	Position 5
			6	Position 6
			7	Position 7
			8	Position 8

- DC motors permanent magnet
- Rotation CCW-CW
- Protection class IP54
- Insulation class F

AC MOTOR - FRAME B14



ATTENTION

Adjust the Z value and lock the coupling with the screw (A).

- After the electrical connection, check the rotation direction for max 1 second (pump discharge), you will avoid irreparable damage to the pump.

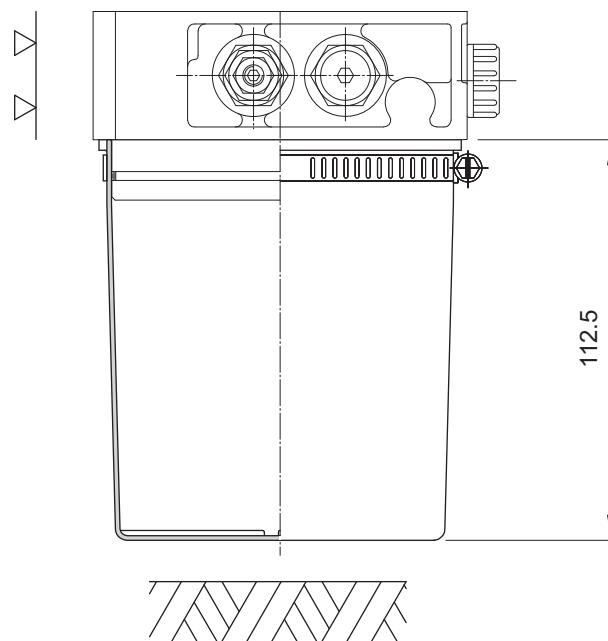
Code	Size	kW (2 poles)	kW (4 poles)	kW (6 poles)	Z (mm)	X (mm)	Frame
R	63	0.18 ÷ 0.25	0.12 ÷ 0.18	0.09 ÷ 0.12	42.8	54.7	B14
L	71	0.35 ÷ 0.55	0.25 ÷ 0.37	0.18 ÷ 0.25	42	53.9	
M	80	0.75 ÷ 1.10	0.55 ÷ 0.75	0.37 ÷ 0.55	53	54.7	

ORDERING CODE

M	*	*	Code	Description	Motor kit
			R	Motore taglia 63	KIT02008.001
			L	Motore taglia 71	KIT02008.002
			M	Motore taglia 80	KIT02008.003

M	**	*	Code	Mounting position
			0	Without motor
			5	Position 5
			6	Position 6
			7	Position 7
			8	Position 8

NYLON TANK TK05



ORDERING CODE

T K05 *

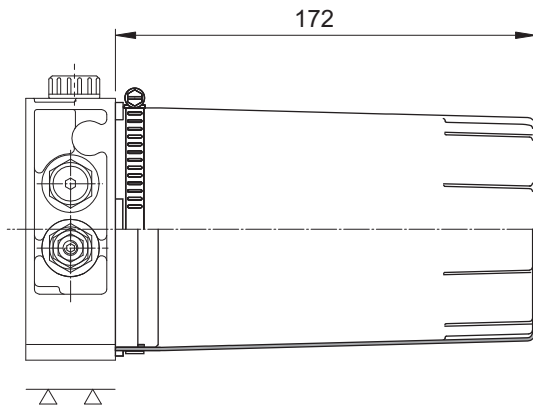
Code	Capacity (nominal lt.)	Tank type	Tank kit
K05	0.5	Nylon (visual oil level)	90310177

F *

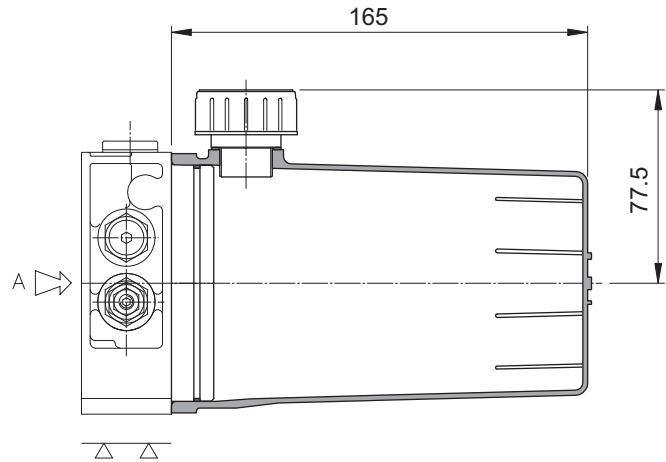
Code	Mounting position
02	Vertical

NYLON TANK TK1 - TH1

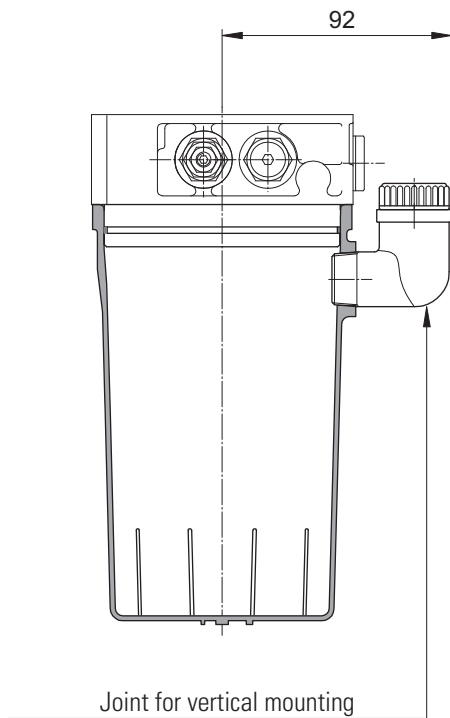
Tank **TK1** (horizontal)



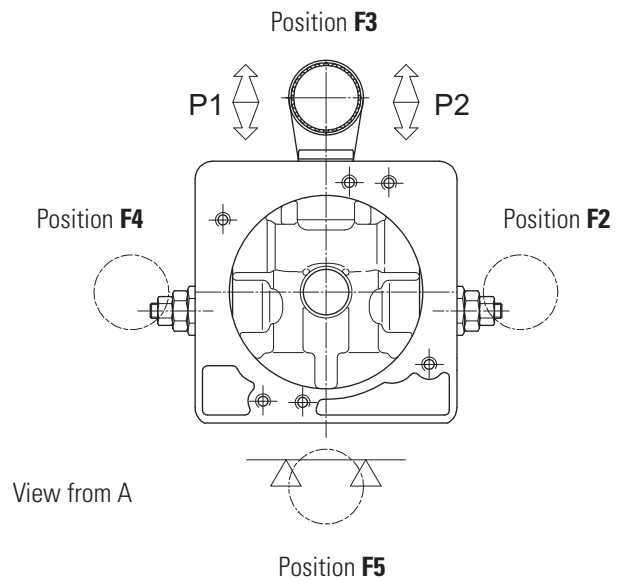
Tank **TH1** (horizontal)



Tank **TH1** (vertical)



Mounting position

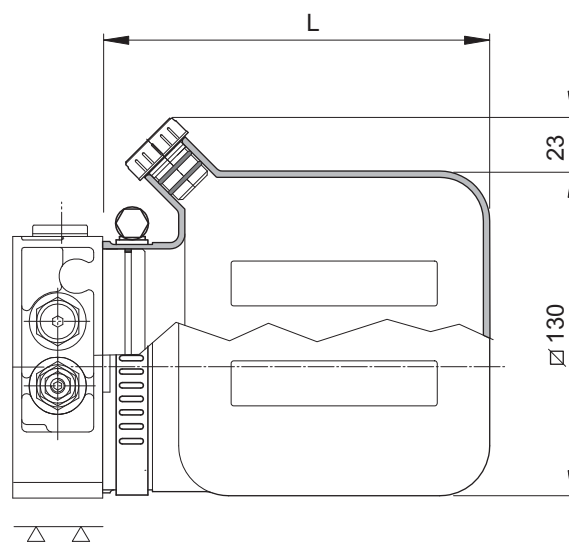


ORDERING CODE

T	*	*	Code	Capacity (nominal lt.)	Tank type	Tank kit
			K1	1	Nylon (visual oil level)	90310104
			H1	1	Nylon tank reinforced with fiberglass (visual oil level)	90310065 Horizontal
						90310066 Vertical

F	*	Code	Type	Mounting position
			TK1 TH1	
		0	X —	Vertical without tank
		1	X X	Horizontal
		2	X X	Vertical (referred to the filling cap)
		3	— X	
		4	— X	
		5	— X	

NYLON TANK Q1 - Q2



ORDERING CODE

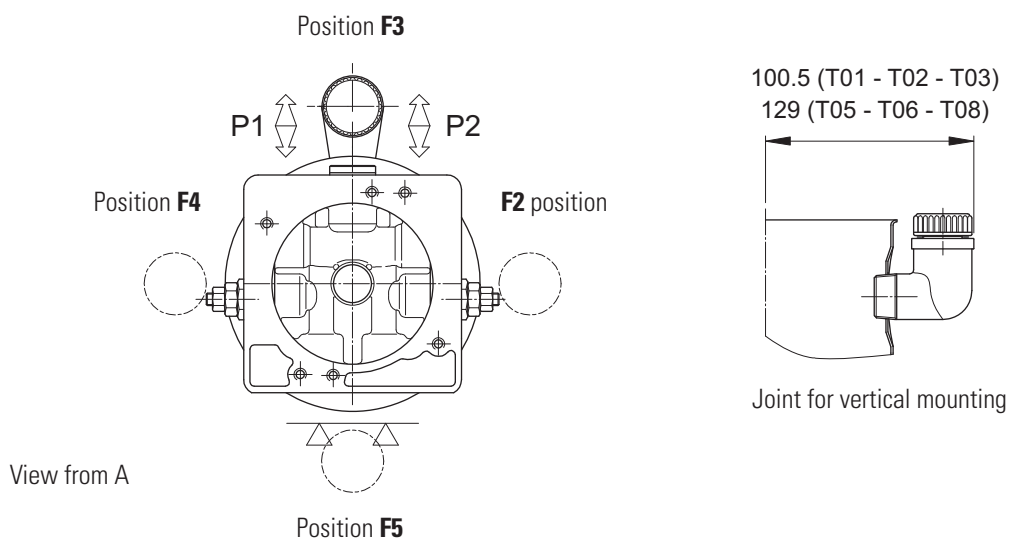
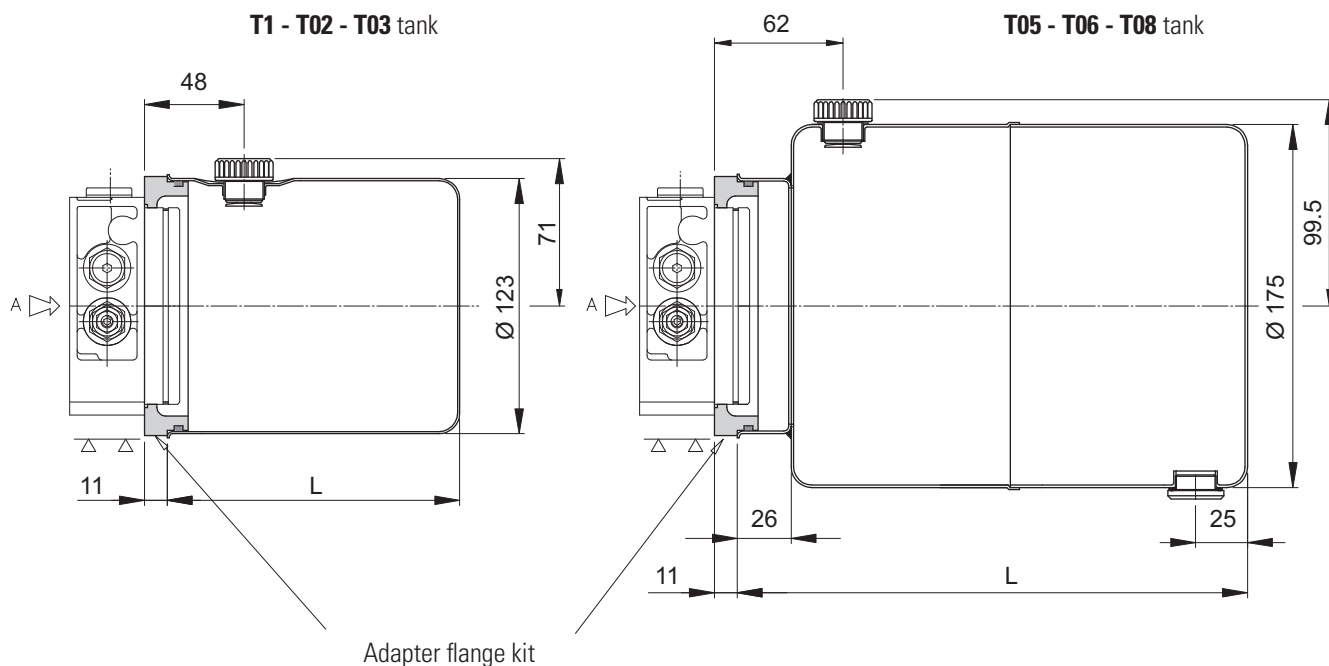
T * *

Code	Capacity (nominal lt.)	Tank type	L (mm)	Tank kit
Q1	1	In nylon (livello olio visivo)	155	90310278
Q2	2	In nylon (livello olio visivo)	223	90310279

F *

Code	Mounting position
0	Vertical without tank
1	Horizontal
2	Vertical (referred to the filling cap)
3	
4	
5	

STEEL TANKS T01 - T02 - T03 - T05 - T06 - T08



ORDERING CODE

T	*	*	Code	Capacity (nominal lt.)	Tank type	L (mm)	Tank kit		Flange kit
							horizontal	vertical	
			01	1	Steel	141	90310000	90310009	17010022
			02	2	Steel	200	90310001	90310010	
			03	3	Steel	330	90310002	90310011	
			05	5	Steel	246	90310003	90310012	17010051
			06	6	Steel	308	90310004	90310013	
			08	8	Steel	370	90310005	90310014	

F	*	Code	Mounting position
		0	Vertical without tank
		1	Horizontal
		2	Vertical (referred to the filling cap)
		3	
		4	
		5	



BREVINI[®]

Motion Systems

Code DOC00064 - Rev.05

Dana Brevini S.p.A.

Via Luciano Brevini 1/a

42124 Reggio Emilia

Tel. +39 0522 270711

Fax +39 0522 270660

www.dana.com/brevini

info@brevinifluidpower.com

