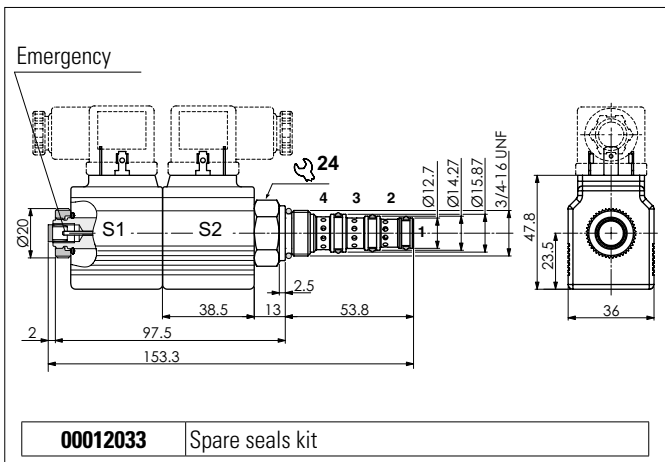


## SOLENOID VALVES 4 WAY 3 POSITIONS



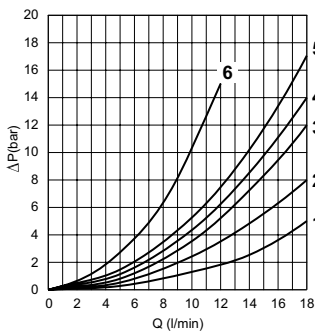
Connector to be ordered separately, see sect. 20

The electric valve is a 4-way 3-position directional electrically controlled valve.  
Slight leakage is tolerated for this type of valve.  
Available in 4 layouts.  
The valves work with DC coils whereas RAC coils with a connector with incorporated rectifier must be used for AC applications.  
The sleeve is in galvanised steel. The plunger is in tempered and ground steel.

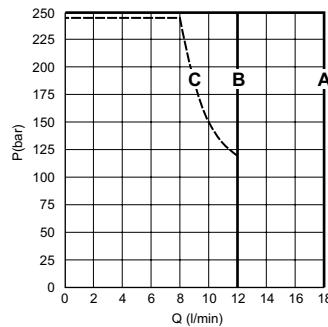
### HYDRAULIC FEATURES

Max. working pressure	250 bar
Max. Flow	18 l/min
Max. excitation frequency	2 Hz
Duty cycle	100% ED
Hydraulic fluid	DIN 51524 Mineral oils
Fluid viscosity	10 ÷ 500 mm <sup>2</sup> /s
Fluid temperature	-25°C ÷ 75°C
Ambient temperature	-25°C ÷ 60°C
Max. contamin. level class with filter	ISO 4406:1999 - class 19/17/14
Type of protection (in relation to the connector used)	IP 65
Weight	0.34 kg
Cartridge tightening torque	25 ÷ 30 Nm
Emergency P1 tightening torque	7 Nm
Cavity (3/4 - 16 UNF)	CD018001 (See section 17)

### PRESSURE DROPS



### LIMIT OF USE



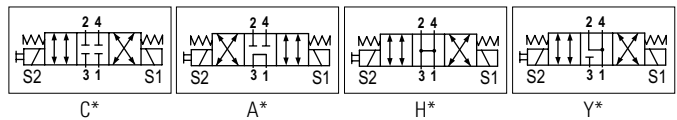
Spool type	Connections (pressure drops)				
	3→1	3→2	3→4	2→1	4→1
C	—	4	4	3	4
A	2	6	6	4	4
H	2	2	2	1	1
Y	—	5	5	3	4

Curve

Spool type	Connections (limits of use)				
	3→1	3→2	3→4	2→1	4→1
C	—	A	A	A	B
A	B	B	B	B	C
H	A	A	A	A	A
Y	—	A	A	A	A

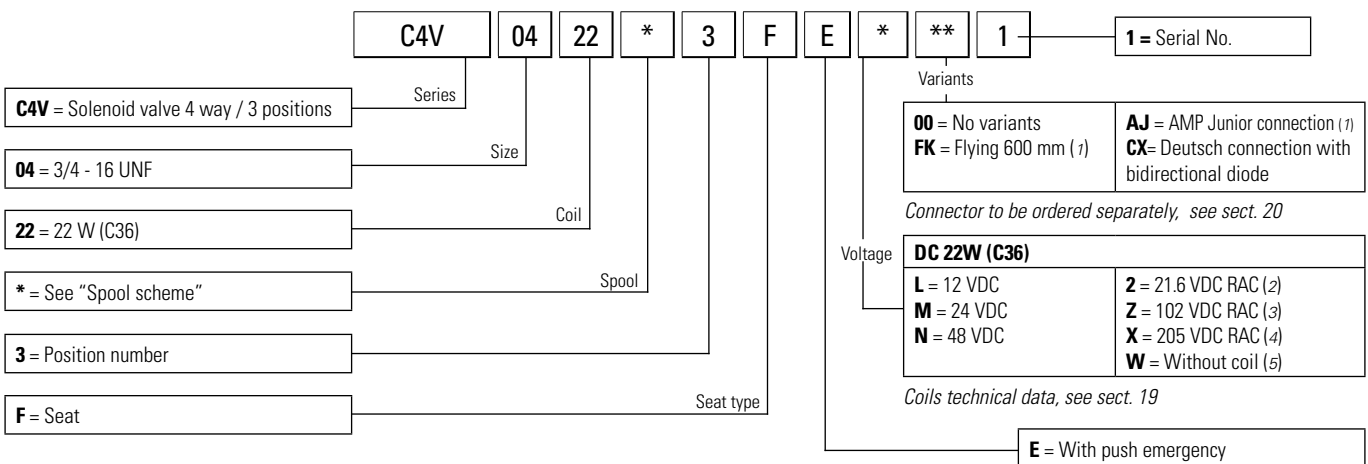
Curve

### SPOOL SCHEME



The tests were carried out with the solenoids 22W at operating temperature, with a supply voltage 10% below nominal value and with a 40°C fluid temperature.  
The fluid used is a mineral oil with viscosity of 46 mm<sup>2</sup>/s at 40°C.

### ORDERING CODE



(1) Only voltages 12 VDC - 24 VDC

(2) With rectifier: 24VAC/50-60Hz

(3) With rectifier: 115VAC/50Hz - 120VAC/60Hz

(4) With rectifier: 230VAC/50Hz - 240VAC/60Hz

(5) Performance are guaranteed only using valves completed with BFP coil