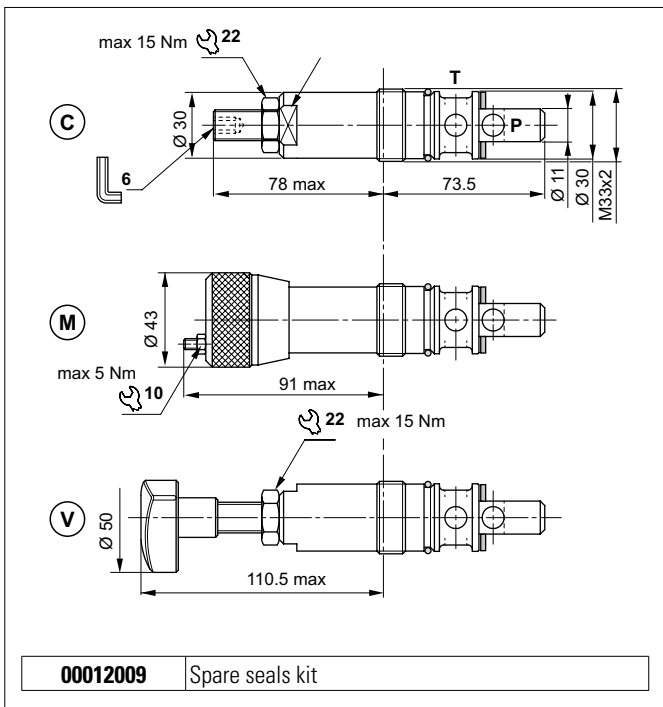


DIRECT ACTING PRESSURE RELIEF VALVES

1

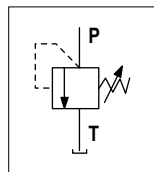


The direct acting relief valve limits the pressure in the hydraulic circuit to the calibration levels specified in the catalogue. It has a galvanised steel body. The guided ball poppet is in tempered and ground steel.

HYDRAULIC FEATURES

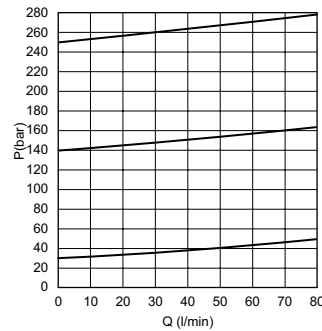
Max. working pressure	250 bar
Setting range:	
Spring 1 (white)	max 30 bar
Spring 2 (yellow)	max 140 bar
Spring 3 (green)	max 250 bar
Max. Flow	80 l/min
Hydraulic fluid	DIN 51524 Mineral oils
Fluid viscosity	10 ÷ 500 mm ² /s
Fluid temperature	-25°C ÷ 75°C
Ambient temperature	-25°C ÷ 60°C
Max. contamin. level class with filter	ISO 4406:1999 - class 19/17/14
Weight	0.5 kg
Tightening torque	80 ÷ 90 Nm
Cavity (M33x2)	CN070001 (See section 17)

HYDRAULIC SYMBOL

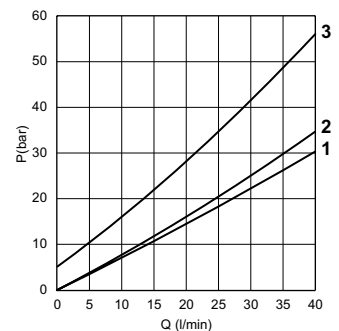


The minimum permissible setting pressure depending on the spring: see curves below

PRESSURE-FLOW RATE



MIN. SETTING PRESSURE



1 = CMP20.1.. - 2 = CMP20.2.. - 3 = CMP20.3..

Fluid used: mineral based oil with viscosity 46 mm²/s at 40°C.

ORDERING CODE

