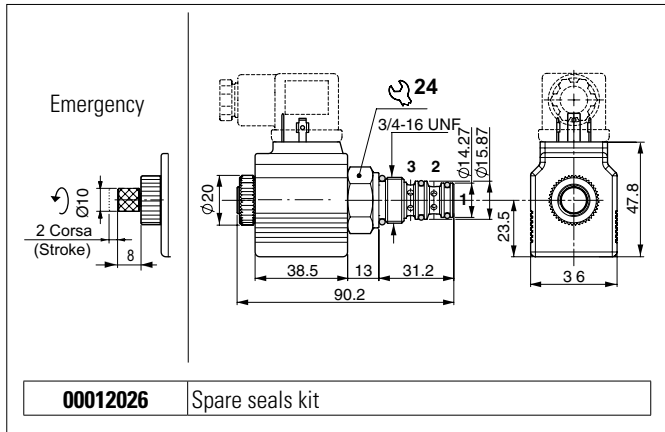
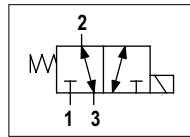


SOLENOID VALVES 3-WAY/2-POSITION

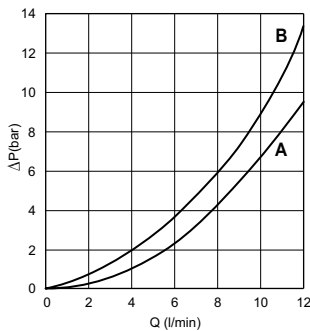


Connector to be ordered separately, see sect. 20

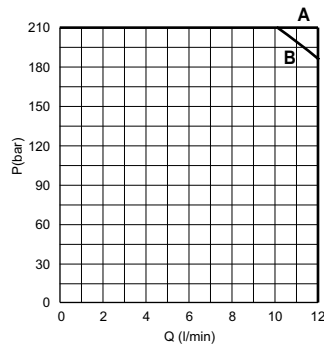
HYDRAULIC SYMBOL



PRESSURE DROPS



LIMIT OF USE



The electric valve is a 3-way 2-position directional electrically controlled valve.

Slight leakage is tolerated for this type of valve.

The valves work with DC coils whereas RAC coils with a connector with incorporated rectifier must be used for AC applications.

The sleeve is in galvanised steel. The plunger is in tempered and ground steel.

HYDRAULIC FEATURES

Max. working pressure	210 bar
Max. Flow	12 l/min
Max. excitation frequency	2 Hz
Duty cycle	100% ED
Hydraulic fluid	DIN 51524 Mineral oils
Fluid viscosity	10 ÷ 500 mm ² /s
Fluid temperature	-25°C ÷ 75°C
Ambient temperature	-25°C ÷ 60°C
Max. contamin. level class with filter	ISO 4406:1999 - class 19/17/14
Type of protection (in relation to the connector used)	IP 65
Weight	0.30 kg
Cartridge tightening torque	25 ÷ 30 Nm
Coil ring nut tightening torque	7 Nm
Cavity (3/4 - 16 UNF)	CD018005 (See section 17)

Flow	Pressure drops	Limit of use
1 → 2	A	A
2 → 1	A	A
2 → 3	B	B
3 → 2	B	B

Curve

The tests were carried out with the 22W solenoids at operating temperature, with a supply voltage 10% below nominal value and with a 40°C fluid temperature.

The fluid used is a mineral oil with viscosity of 46 mm²/s at 40°C.

ORDERING CODE

C3V = Solenoid valve 3 way / 2 positions	Series	04 = 3/4 - 16 UNF	Size	22 = 22W (C36)	Coil	1C = Hydraulic schema	Schema	C = Seat	Seat type	*	Version	*	Voltage	**	Variants	2 = Serial No.
S = Without emergency		E = With emergency											DC 22W (C36)			
													L = 12 VDC	Z = 21.6 VDC RAC (2)		
													M = 24 VDC	X = 102 VDC RAC (3)		
													N = 48 VDC	W = 205 VDC RAC (4)		

Connector to be ordered separately, see sect. 20

Coils technical data, see sect. 19

(1) Only voltages 12 VDC - 24 VDC

(2) With rectifier: 24 VAC/50-60Hz

(3) With rectifier: 115 VAC/50Hz - 120 VAC/60Hz

(4) With rectifier: 230 VAC/50Hz - 240 VAC/60Hz

(5) Performance are guaranteed only using valves completed with BFP coil