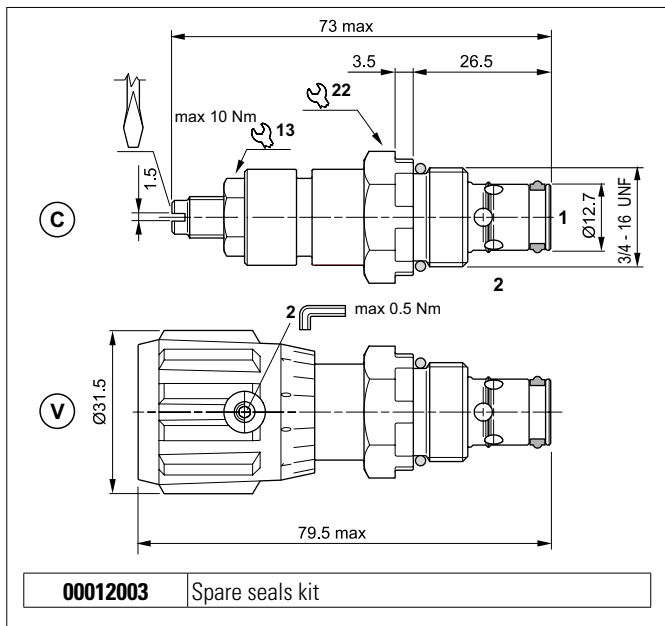


## BIDIRECTIONAL FLOW CONTROL VALVE

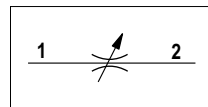


Flow control valve using non compensated throttling. The flow is reduced in both directions, turning the screw or wheel right or left. Guarantees excellent mechanical seal with negligible leakage. It has a galvanised steel body.

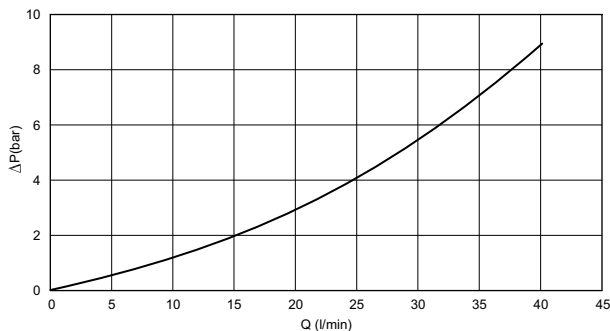
### HYDRAULIC FEATURES

Max. working pressure	315 bar
Max. Flow	40 l/min
Hydraulic fluid	DIN 51524 Mineral oils
Fluid viscosity	10 ÷ 500 mm <sup>2</sup> /s
Fluid temperature	-25°C ÷ 75°C
Ambient temperature	-25°C ÷ 60°C
Max. contamin. level class with filter	ISO 4406:1999 - class 19/17/14
Weight	0.11 kg
Tightening torque	25 ÷ 30 Nm
Cavity (3/4 - 16 UNF)	CD018006 (See section 17)

### HYDRAULIC SYMBOL



### PRESSURE DROPS



Fluid used: mineral based oil with viscosity 15 mm<sup>2</sup>/s at 40°C.

### ORDERING CODE

