

DIRECTIONAL CONTROL VALVES OTHER OPERATOR CETOP 3/NG6



INTRODUCTION

The ARON directional control valves NG6 are designed for subplate mounting with an interface in accordance with with UNI ISO 4401 - 03 - 02 - 0 - 94 standard (ex CETOP R 35 H 4.2-4-03), and can be used in all fields on account of their high flow rate and pressure capacities combined with compact overall dimensions.

The use of solenoids with wet armatures allows a very practical, safe construction completely dispensing with dynamic seals; the solenoid tube is screwed directly onto the valve chest whilst the coil is kept in position by means of a lock nut.

The special, precise construction of the ports and the improvement of the spools enables relatively high flow rates to be accommodated with a minimal pressure drop (Δp).

The centre position is obtained by means of calibrated length springs which reposition the spool in the centre or end of travel position once the action of the impulse is over.

The valves are designed for use with DIN 51524 standard hydraulic mineral oils and it is recommended that filters should be fitted to ensure a maximum contamination level of class 10 in accordance with NAS 1638, $\beta_{25} \geq 75$.

OTHER OPERATOR

| | |
|-----------------|---------------|
| STANDARD SPOOLS | CH. I PAGE 10 |
| AD.3.P... | CH. I PAGE 17 |
| AD.3.O... | CH. I PAGE 17 |
| AD.3.M... | CH. I PAGE 18 |
| AD.3.D... | CH. I PAGE 18 |

ORDERING CODE

| | |
|-----------|--|
| AD | Directional valve |
| 3 | CETOP 3/NG06 |
| * | Type of operator P = Pneumatic O = Oleodynamic M = Mechanically D = Direct mechanically (For other operator see past pages) |
| ** | Spool (see page I•10) |
| * | Mounting type (tab.1) |
| Z | No voltage |
| ** | Variants: 00 = no variant V1 = Viton H1 = Marine version (for AD3P only) DI(*) = Internal draining (for AD3O only) |
| 2 | Serial No. |

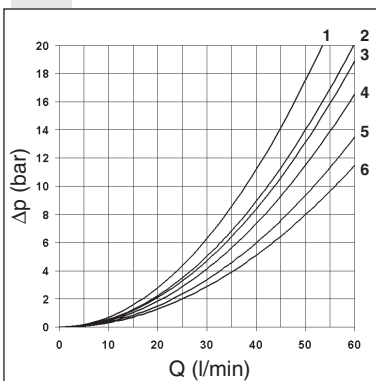
TAB.1 MOUNTING

| STANDARD | |
|----------------------------------|--|
| C | |
| D | |
| E | |
| F | |
| SPECIALS (WITH PRICE INCREASING) | |
| G | |
| H | |
| I | |
| L | |
| M | |

• In case of **mounting D** with detent a maximum supply time of 2 sec is needed (only for AC coils).

(*) The DI variant is recommended in the environments characterised by the presence of dust or any type of contamination.

PRESSURE DROPS



| Spool type | Connections | | | | |
|------------|-------------|-----|-----|-----|-----|
| | P→A | P→B | A→T | B→T | P→T |
| 01 | 5 | 5 | 5 | 5 | |
| 02 | 6 | 6 | 6 | 6 | 5 |
| 03 | 5 | 5 | 6 | 6 | |
| 04 | 1 | 1 | 2 | 2 | 4 |
| 05 | 5 | 5 | 5 | 5 | |
| 06 | 5 | 5 | 6 | 5 | |
| 07 | 5 | 5 | 5 | 6 | |
| 08 | 6 | 6 | | | |
| 09 | 5 | 5 | | 5 | |
| 10 | 5 | 5 | 5 | 5 | |

Curve No.

| Spool type | Connections | | | | |
|------------|-------------|-----|-----|-----|-----|
| | P→A | P→B | A→T | B→T | P→T |
| 11 | 4 | | | 6 | |
| 22 | | 4 | 6 | | |
| 12 | | 5 | | 6 | |
| 13 | | 5 | 6 | 6 | |
| 14 | 2 | 1 | 1 | 1 | 2 |
| 28 | 1 | 2 | 1 | 1 | 2 |
| 15 - 19 | 4 | 4 | 6 | 6 | |
| 16 | 5 | 5 | 4 | 4 | |
| 17 - 21 | 1 | 3 | | | |
| 18 | 5 | 5 | | | |
| 20 | 4 | 4 | 4 | 4 | |

Curve No.

The diagram at the side shows the pressure drop curves for spools during normal usage. The fluid used is a mineral oil with a viscosity of 46 mm²/s at 40°C; the tests have been carried out at a fluid temperature of 40°C. For higher flow rates than those in the diagram, the losses will be those expressed by the following formula:

$$\Delta p_1 = \Delta p \times (Q_1/Q)^2$$

where Δp will be the value for the losses for a specific flow rate Q which can be obtained from the diagram, Δp_1 will be the value of the losses for the flow rate Q1 that is used.

AD.3.D... DIRECT MECHANICALLY OPERATED TYPE VALVES CETOP 3/NG6

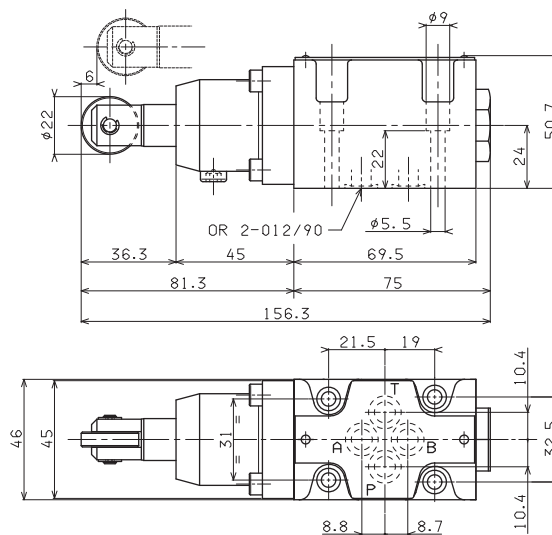
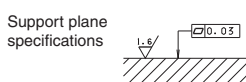


| | |
|--------------------------------|---|
| Max. pressure ports P/A/B | 320 bar |
| Max. pressure port T | 20 bar |
| Max. flow | 60 l/min |
| Operating force - see note (*) | 6 Kg |
| Fluid viscosity | 10 ÷ 500 mm ² /s |
| Fluid temperature | 0°C ÷ 75°C |
| Ambient temperature | -25°C ÷ 60°C |
| Max. contamination level | class 10 in accordance with NAS 1638 with filter $\beta_{25} \geq 75$ |
| Weight | 1,5 Kg |

- Possible mountings: **E / F / G / H**
- Ordering code see page before
- Note: (*) In absence of counter-pressure at port T

OVERALL DIMENSIONS

Fixing screws UNI 5931 M5x30
with material specifications min. 8.8
Tightening torque 5 Nm / 0.5 Kgm



| | |
|----------------|------|
| Stroke | 6 mm |
| Extra stroke | 2 mm |
| Working stroke | 3 mm |