

# SE3AN21RS... ELECTRONIC CARDS FORMAT EUROCARD FOR POSITIONAL TRANSDUCER VALVES CONTROL



**SE3AN21RS...03**

INSTRUCTIONS	CAP. IX • 12
OVERALL DIMENSIONS	CAP. IX • 12

The electronic cards type SE3AN21RS...serie 3 have been planned for controlling single and double solenoid proportional valves XDC3....serie 2 equipped with position transducer type LVDT. The card has a EUROCARD format for being assembled on a connector type DIN 41612 D 32. The output stage operates on the basis of the Pulse Width Modulation (PWM) and is subject to the current feedback so that it is possible to obtain an output solenoid current directly proportional to the input signal. The regulator is supplied with standard calibration for proportional valve control. The card is equipped with a control module type PI which compares the reference signal with the position transducer signal: the eventual error is used to optimize the regulation. It is possible to carry out further regulations by operating on the relative trimmers placed on the frontal panel (see picture).

- The connection between the card and the solenoid must be direct
- The common one of return to proportional solenoid must not be shared between other valve connections or electrical equipment worker.



**Registered mark with reference to the electromagnetic compatibility.**

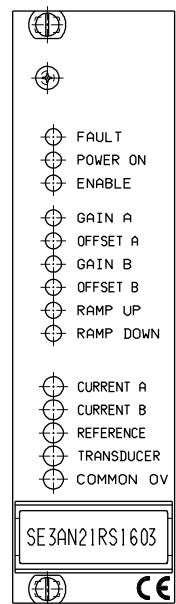
European norms: EN50082-1 - General safety norm; EN50081-1 -Emission general norm.

## ORDERING CODE

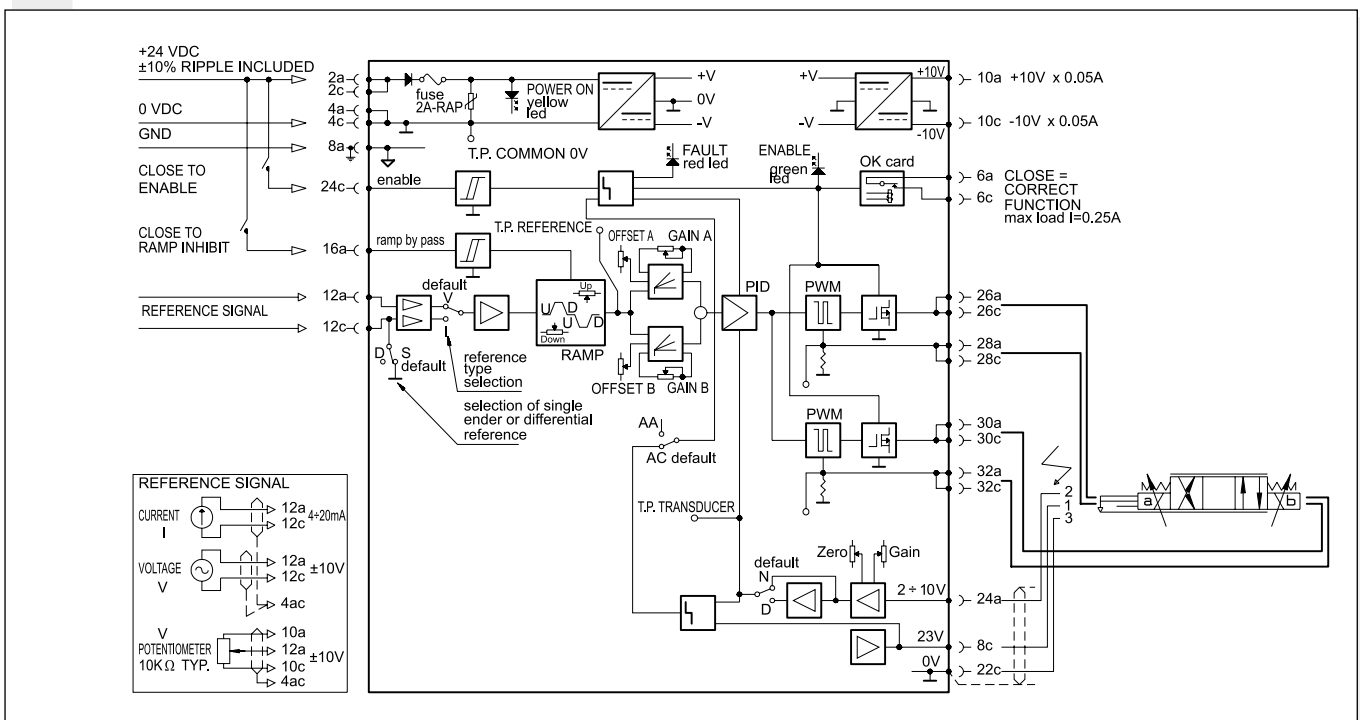
<b>SE</b>	Electronic card format EUROCARD DIN 41612
<b>3</b>	NG06
<b>AN21</b>	Analogic
<b>RS</b>	Closed loop valves with positional transducer type XDC3 .... serie 2
<b>16</b>	Max. current at solenoid: 1.76 A
<b>0</b>	No variant
<b>3</b>	Serial No.

## ADJUSTMENT PANEL FOR CARD

<b>Fault</b>	red – transducer fault signal
<b>Power on</b>	yellow – 24V DC power supply
<b>Enable</b>	green – card enable
<b>Gain A</b>	Solenoid A maximum current regulation
<b>Offset A</b>	Solenoid A offset current regulation
<b>Gain B</b>	Solenoid B maximum current regulation
<b>Offset B</b>	Solenoid B offset current regulation
<b>Ramp Up</b>	Ramp up regulation
<b>Ramp Down</b>	Ramp down regulation
<b>Current A</b>	Solenoid A current test point (1V=1A)
<b>Current B</b>	Solenoid B current test point (1V=1A)
<b>Reference</b>	Reference signal test point
<b>Transducer</b>	Transducer signal measurement point
<b>Common 0V</b>	Common zero



## ELECTRICAL CIRCUIT AND CONNECTIONS



# SE3AN21RS... ELECTRONIC CARDS FORMAT EUROCARD FOR POSITIONAL TRANSDUCER VALVES CONTROL

## Instructions for use

For proportional valves with code  
XDC3C..F... serie 2 (SE3AN21RS16...serie 3)

### Power electric supply

24 VDC nominal  
22÷30 VDC rectified and stabilized (30W max.)  
2A fast-acting fuse is fitted for power circuit protection.

### Reference voltage

The card gives 2 stabilized voltage values: +10V 50mA (a10) and -10V 50mA (c10).

### Available inputs

± 10V (a12, c12) presetted  
4 ÷ 20mA (a12, c12) move SW 1 bank in "I" position

### Card enable (Enable)

Usually the card is not enable. For enabling it, apply in c24 a voltage between 22 and 30VDC. Green led signal.

### Ramp exclusion

Ramps are usually on. In order to disable them apply a16 a voltage between 22 ÷ 30VDC.

### Calibration procedure

Connect the card according to the scheme (See the preceding page). Set zero the reference potentiometer. Before applying the voltage, make sure that the hydraulic system does not move suddenly causing damages to people or things. Apply the voltage to the card: the green led will start blinking. Enable the card and disconnect the ramps (led "FAULT" off) and disable the ramps.

### Minimum current regulation

**A channel:** put the reference signal on 3÷5% of the max. value. Turn the minimum current trimmer clockwise ( $I_{min}$  A) until the actuator moves; then turn the trimmer counterclockwise until the actuator stops.

**B channel:** repeat the above procedure for the A channel by operating on the  $I_{min}$  B trimmer for negative values of the reference signal.

### Maximum current regulation

**A channel:** put the reference signal on the max. (positive) value and turn the gain trimmer ( $I_{max}$  A) slowly, until the max. speed requested is reached. Now the speed can be varied by changing the reference signal.

**B channel:** repeat the above procedure for the A channel by operating on the  $I_{max}$  B trimmer and by putting the reference signal on the max. negative value.

### Ramp time calibration

Connect the ramps. The ramp time is the time which is necessary for going from the minimum current value to the max. current value and vice versa. The time can be set from a minimum value of 0.1 sec. (ramp excluded) up to a maximum value of 10 sec. (valve max. opening) whether downwards or upwards. By turning the trimmers clockwise the ramp time increases.

### Notes:

The ramp down time influences the lock position of the actuator. By setting to zero the reference signal, the actuator keeps moving until the ramp time set (in a downward direction) has passed. For this reason it is necessary to carry out the adjustment carefully and properly.

The card block (FAULT) is automatically reset after that the error has been eliminated.

### LVDT connection

See the preceding page:

- terminal 1 della LVDT c8 of the card
  - terminal 2 della LVDT a24 of the card
  - terminal 3 della LVDT c22 of the card
- Use screened cable with earth braid.

### Solenoid current test point

On the frontal card panel: 1V = 1A

### Command signal test point

Enables reading in voltage of referencesignal sent to the card.

Reading is direct, but of opposite sign, with voltage reference while current conversation is: 4mA = +10V, 20mA = -10V.

### Feedback signal test point

On the frontal card panel: ± 5V according to the spool position

### Ambient temperature range

0° ÷ 50°C

### Electric connections

The connections concerning the reference potentiometers must be carried out with a wire having a section of  $\geq 0.75\text{mm}^2$ .

It is advised to use a screened cable with earth braid.

9

## OVERALL DIMENSIONS

