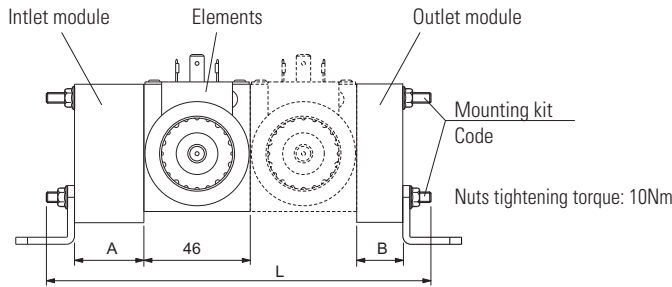


# Mounting kit

**SIZE 6**  
**ON/OFF and proportional valves**

Kit composed by No. 4 rods and No. 8 stud nuts

For more combinations contact our customer service.



Intlet module		FE3 / FE02 (A=30 mm)							
Outlet module		FU3 (B=15 mm)		FU3* (B=20 mm)		FUT3 (B=25 mm)		FUS3 (B=35 mm)	
		Code	L (mm)	Code	L (mm)	Code	L (mm)	Code	L (mm)
Elements	1	V89B50042	121	V89B50043	125	V89B50043	125	V89B50044	140
	2	V89B50047	160	V89B50012	170	V89B50012	170	V89B50022	180
	3	V89B50013	210	V89B50013	210	V89B50023	220	V89B50049	230
	4	V89B50014	260	V89B50014	260	V89B50024	270	V89B50024	270
	5	V89B50052	300	V89B50015	310	V89B50015	310	V89B50053	320
	6	V89B50016	350	V89B50016	350	V89B50026	361	V89B50036	380
	7	V89B50055	390	V89B50017	400	V89B50017	400	V89B50027	410
	8	V89B50018	440	V89B50028	450	V89B50028	450	V89B50056	460

Intlet module		FE10S (A=35 mm)							
Outlet module		FU3 (B=15 mm)		FU3* (B=20 mm)		FUT3 (B=25 mm)		FUS3 (B=35 mm)	
		Code	L (mm)	Code	L (mm)	Code	L (mm)	Code	L (mm)
Elements	1	V89B50042	121	V89B50043	125	V89B50043	125	V89B50045	145
	2	V89B50012	170	V89B50012	170	V89B50022	180	V89B50032	190
	3	V89B50013	210	V89B50023	220	V89B50023	220	V89B50049	230
	4	V89B50014	260	V89B50024	270	V89B50024	270	V89B50034	285
	5	V89B50015	310	V89B50015	310	V89B50015	310	V89B50035	330
	6	V89B50016	350	V89B50026	361	V89B50026	361	V89B50036	380
	7	V89B50017	400	V89B50017	400	V89B50027	410	V89B50037	430
	8	V89B50028	450	V89B50028	450	V89B50028	450	V89B50038	470

Intlet module		FELS / FE10 / FE10LS (A=40 mm)							
Outlet module		FU3 (B=15 mm)		FU3* (B=20 mm)		FUT3 (B=25 mm)		FUS3 (B=35 mm)	
		Code	L (mm)	Code	L (mm)	Code	L (mm)	Code	L (mm)
Elements	1	V89B50043	125	V89B50021	130	V89B50044	140	V89B50046	150
	2	V89B50012	170	V89B50022	180	V89B50022	180	V89B50032	190
	3	V89B50023	220	V89B50023	220	V89B50049	230	V89B50033	240
	4	V89B50024	270	V89B50024	270	V89B50024	270	V89B50034	285
	5	V89B50015	310	V89B50015	310	V89B50053	320	V89B50035	330
	6	V89B50026	361	V89B50026	361	V89B50036	380	V89B50036	380
	7	V89B50017	400	V89B50027	410	V89B50027	410	V89B50037	430
	8	V89B50028	450	V89B50028	450	V89B50056	460	V89B50038	470

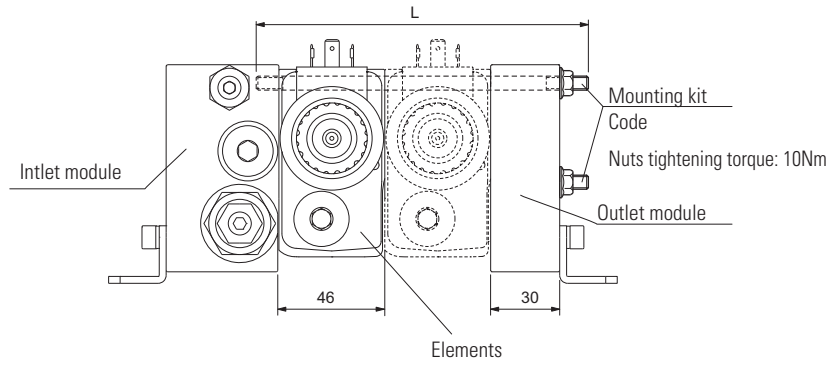
Intlet module		FE02Q / FE10P / FE10PS (A=57 mm) - FE10X (A=59 mm)							
Outlet module		FU3 (B=15 mm)		FU3* (B=20 mm)		FUT3 (B=25 mm)		FUS3 (B=35 mm)	
		Code	L (mm)	Code	L (mm)	Code	L (mm)	Code	L (mm)
Elements	1	V89B50044	140	V89B50045	145	V89B50046	150	V89B50047	160
	2	V89B50032	190	V89B50048	199	V89B50048	199	V89B50013	210
	3	V89B50033	240	V89B50033	240	V89B50050	250	V89B50014	260
	4	V89B50034	285	V89B50034	285	V89B50051	296	V89B50052	300
	5	V89B50035	330	V89B50035	330	V89B50054	340	V89B50016	350
	6	V89B50036	380	V89B50036	380	V89B50055	390	V89B50017	400
	7	V89B50037	430	V89B50037	430	V89B50037	430	V89B50018	440
	8	V89B50038	470	V89B50038	470	V89B50057	480	V89B50058	490

# Mounting kit

## SIZE 6 Pre and post compensated valves

Kit composed by No. 4 rods and No. 4 stud nuts

For more combinations contact our customer service.



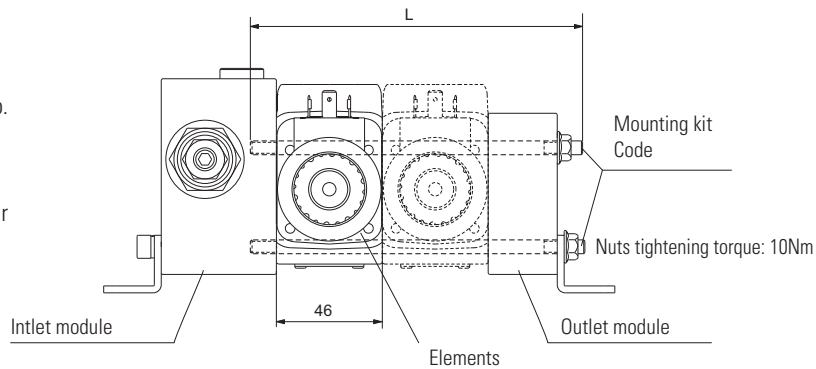
Inlet module		FEH30PQ / FEH30LS FEH30PQ / FEH35PQ / HSIF	
Outlet module		FUH (B=30 mm)	
		Code	L (mm)
Elements *	1	V89B50001	100
	2	V89B50002	145
	3	V89B50003	190
	4	V89B50004	240
	5	V89B50005	285
	6	V89B50006	330
	7	V89B50007	380
	8	V89B50008	430

\* only valves with LS line: CDC3/CD3 body "L-M" ; CX3 body "L"

## SIZE 10 ON/OFF valves

Kit composed by No. 4 rods and No. 4 stud nuts

For more combinations contact our customer service.



Inlet module		FE5 / FE305	
Outlet module		FU5 (B=30 mm)	
		Code	L (mm)
Elements *	1	V89B50002	100
	2	V89B50003	145
	3	V89B50004	190
	4	V89B50005	240
	5	V89B50006	285
	6	V89B50008	330

4