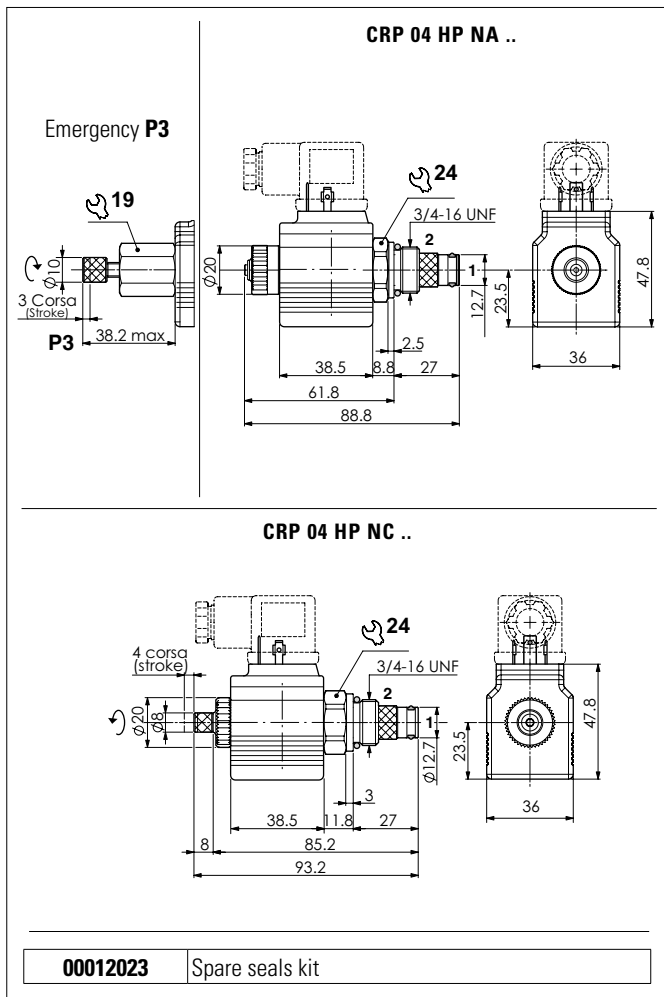


HIGH PRESSURE PILOTED OPERATED SOLENOID VALVE



The pilot-operated electric 2-way 2-position directional valve is controlled electrically. For high pressures.

The tapered poppet is in tempered and ground steel.

Available in normally open (NA) or normally closed (NC) versions.

- NA, free passage from 2 to 1 with de-energised coil.
- NC, free passage from 2 to 1 with energised coil or from 1 to 2 with de-energised coil.

The valves work with DC coils whereas RAC coils with a connector with incorporated rectifier must be used for AC applications.

The sleeve is in galvanised steel.

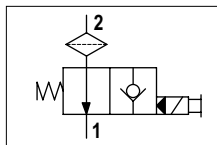
FEATURES

Max. pressure	370 bar
Max. Flow	30 l/min
Max. Leakage (0 ÷ 10 drops/min)	0 ÷ 0.5 cm ³ /min
Max. excitation frequency	2 Hz
Duty cycle	100% ED
Hydraulic fluids	DIN 51524 Mineral oils
Fluid viscosity	10 ÷ 500 mm ² /s
Fluid temperature	-25°C ÷ 75°C
Ambient temperature	-25°C ÷ 60°C
Max. contamin. level class with filter	ISO 4406:1999 - class 19/17/14
Cartridge filter	280µm
Type of protection (in relation to the connection used)	IP65
Weight (with coil)	0.35 kg
Cartridge tightening torque	25 ÷ 30 Nm
Coil ring nut tightening torque	7 Nm
Cavity (3/4 - 16 UNF)	CD018006 (See section 17)

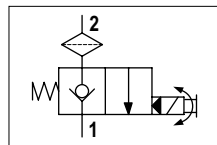
00012023 Spare seals kit

Connector to be ordered separately, see sect. 20

HYDRAULIC SYMBOLS



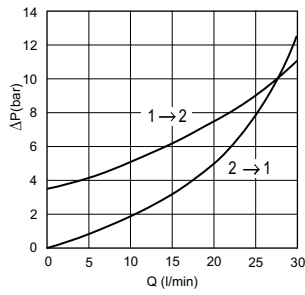
Normally open



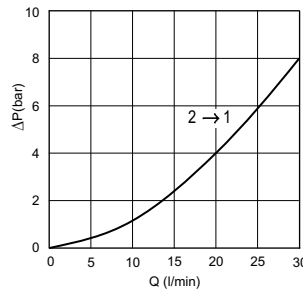
Normally closed

PRESSURE DROPS

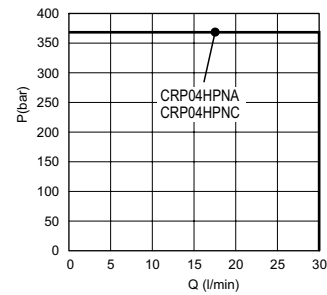
CRP 04 HP NC.



CRP 04 HP NA.



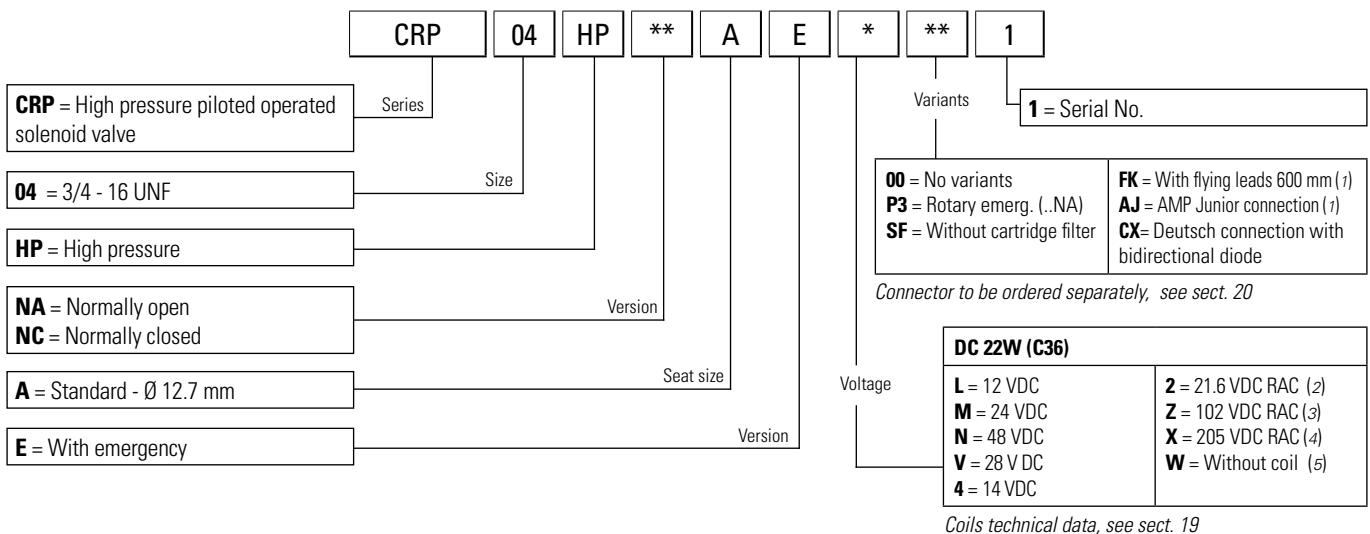
LIMITS OF USE



1 → 2 Only with coil not energised

The tests were carried out with the solenoids at operating temperature, with a supply voltage 10% below nominal value and with a 40°C fluid temperature. The fluid used is a mineral oil with viscosity of 46 mm²/s at 40°C.

ORDERING CODE



(1) Only voltages 12 VDC - 24 VDC

(2) With rectifier: 24 VAC/50-60Hz

(3) With rectifier: 115 VAC/50Hz - 120 VAC/60Hz

(4) With rectifier: 230 VAC/50Hz - 240 VAC/60Hz

(5) Performance are guaranteed only using valves completed with BFP coil