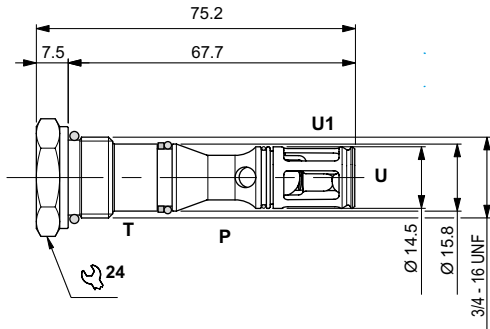


## ONE-WAY CHECK VALVES (FOR POWER PACKS SERIES FP)



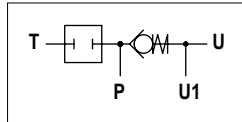
**00012004** Spare seals kit

The check-valves permit one-directional oil flow only. On the opposite side the sealing is guaranteed by a ball steel poppet. The spring permits an easy valve installation in any position. External steel body protected on surface by zinc plating.

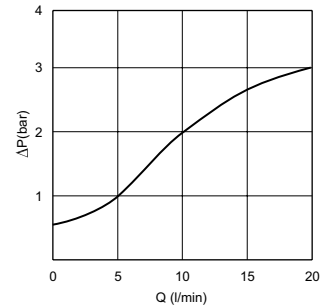
### HYDRAULIC FEATURES

|  |                                |
|--|--------------------------------|
| Max. working pressure                  | 320 bar                        |
| Max. Flow                              | 20 l/min                       |
| Max. Leakage (0 ÷ 5 drops/min)         | 0 ÷ 0.25 cm <sup>3</sup> /min  |
| Hydraulic fluid                        | DIN 51524 Mineral oils         |
| Fluid viscosity                        | 10 ÷ 500 mm <sup>2</sup> /s    |
| Fluid temperature                      | -25°C ÷ 75°C                   |
| Ambient temperature                    | -25°C ÷ 60°C                   |
| Max. contamin. level class with filter | ISO 4406:1999 - class 19/17/14 |
| Weight                                 | 0.09 kg                        |
| Tightening torque                      | 25 ÷ 30 Nm                     |
| Cavity (3/4 - 16 UNF)                  | CD018013 (See section 17)      |

### HYDRAULIC SYMBOL



### PRESSURE DROPS (P → U)



Fluid used: mineral based oil with viscosity 32 mm<sup>2</sup>/s at 50°C.

### ORDERING CODE

