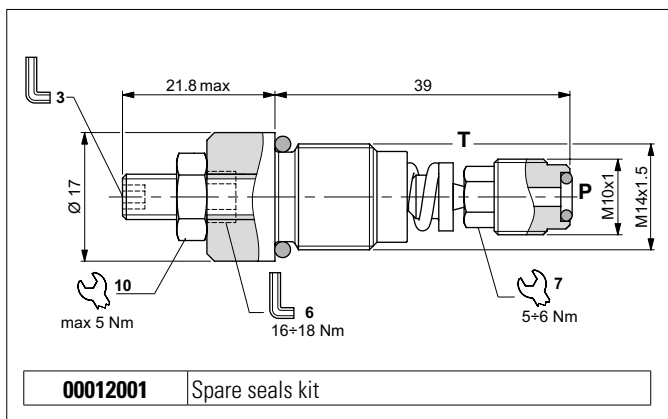


DIRECT ACTING PRESSURE RELIEF VALVES (FOR HPV VALVES)

1

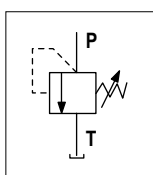


The direct acting relief valve limits the pressure in a hydraulic circuit to within the specified calibration range. It has a galvanised steel body. The tapered poppet is in tempered steel.

HYDRAULIC FEATURES

Max. working pressure	400 bar
Max. Flow	5 l/min
Hydraulic fluid	DIN 51524 Mineral oils
Fluid viscosity	10 ÷ 500 mm ² /s
Fluid temperature	-25°C ÷ 75°C
Ambient temperature	-25°C ÷ 60°C
Max. contamin. level class with filter	ISO 4406:1999 - class 19/17/14
Weight	0.038 kg
Tightening torque	see draw
Cavity (M14x1.5)	CN032005 (See section 17)

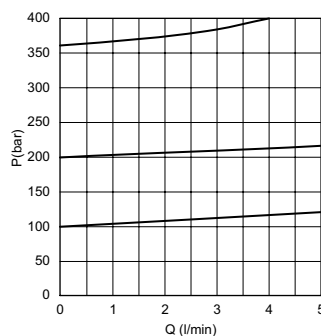
HYDRAULIC SYMBOL



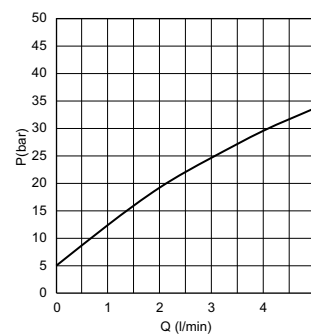
ORDERING CODE

Code	Description
RKVL1130002	Direct acting relief valve

PRESSURE-FLOW RATE



MIN.SETTING PRESSURE



Fluid used: mineral based oil with viscosity 46 mm²/s at 40°C.